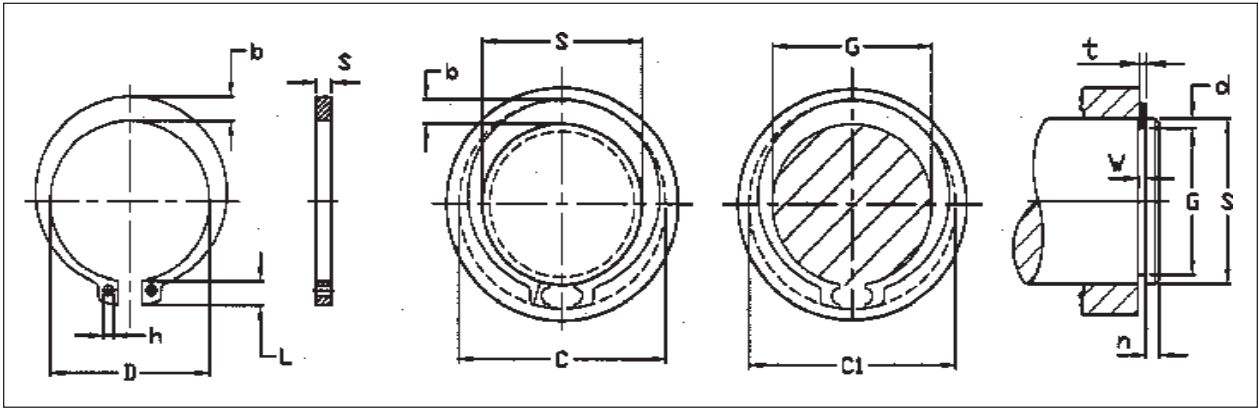


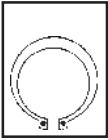
**VOLUME - 2**  
**EXTERNAL CIRCLIPS AS PER DIN 471**



SHAFT S	GROOVE (G)			CIRCLIP (F)						PRICE Per No.
	G	W	t	Tol.(+/-)	D	Tol.(+/-)	L(max)	b~	h(min)	
3	2.8	0.50	0.40	0.00/0.04	2.7	0.075/0.15	1.9	0.8	1.0	1.50
4	3.8	0.50	0.40	0.00/0.04	3.7	0.075/0.15	2.2	0.9	1.0	1.50
5	4.8	0.70	0.60	0.00/0.04	4.7	0.075/0.15	2.5	1.1	1.0	1.50
6	5.7	0.80	0.70	0.00/0.04	5.6	0.075/0.15	2.7	1.3	1.1	1.80
7	6.7	0.90	0.80	0.00/0.04	6.5	0.09/0.18	3.1	1.4	1.2	1.80
8	7.6	0.90	0.80	0.00/0.04	7.4	0.09/0.18	3.2	1.5	1.2	2.10
9	8.6	1.10	1.00	0.00/0.06	8.4	0.09/0.18	3.3	1.7	1.2	2.40
10	9.6	1.10	1.00	0.00/0.06	9.3	0.18/0.36	3.3	1.8	1.5	2.70
11	10.5	1.10	1.00	0.00/0.06	10.2	0.18/0.36	3.3	1.8	1.5	3.00
12	11.5	1.10	1.00	0.00/0.06	11.0	0.18/0.36	3.3	1.8	1.7	3.00
13	12.4	1.10	1.00	0.00/0.06	11.9	0.18/0.36	3.4	2.0	1.7	3.00
14	13.4	1.10	1.00	0.00/0.06	12.9	0.18/0.36	3.5	2.1	1.7	3.30
15	14.3	1.10	1.00	0.00/0.06	13.8	0.18/0.36	3.6	2.2	1.7	3.30
16	15.3	1.10	1.00	0.00/0.06	14.7	0.18/0.36	3.7	2.2	1.7	3.60
17	16.2	1.10	1.00	0.00/0.06	15.7	0.18/0.36	3.8	2.3	1.7	3.60
18	17.0	1.30	1.20	0.00/0.06	16.5	0.18/0.36	3.9	2.4	2.0	4.20
19	18.0	1.30	1.20	0.00/0.06	17.5	0.18/0.36	3.9	2.5	2.0	4.20
20	19.0	1.30	1.20	0.00/0.06	18.5	0.21/0.42	4.0	2.6	2.0	4.50
21	20.0	1.30	1.20	0.00/0.06	19.5	0.21/0.42	4.1	2.7	2.0	4.80
22	21.0	1.30	1.20	0.00/0.06	20.5	0.21/0.42	4.2	2.8	2.0	4.80
23	22.0	1.30	1.20	0.00/0.06	21.5	0.21/0.42	4.3	2.9	2.0	5.10
24	22.9	1.30	1.20	0.00/0.06	22.5	0.21/0.42	4.4	3.0	2.0	5.10
25	23.9	1.30	1.20	0.00/0.06	23.2	0.21/0.42	4.4	3.0	2.0	5.40
26	24.9	1.30	1.20	0.00/0.06	24.2	0.21/0.42	4.5	3.1	2.0	5.70
27	25.6	1.30	1.20	0.00/0.06	24.9	0.21/0.42	4.6	3.1	2.0	6.90
28	26.6	1.60	1.50	0.00/0.06	25.9	0.21/0.42	4.7	3.2	2.0	8.10
29	27.6	1.60	1.50	0.00/0.06	26.9	0.21/0.42	4.8	3.4	2.0	8.40
30	28.6	1.60	1.50	0.00/0.06	27.9	0.21/0.42	5.0	3.5	2.0	8.40
31	29.3		1.50		28.6					9.00
32	30.3	1.60	1.50	0.00/0.06	29.6	0.21/0.42	5.2	3.6	2.5	9.00
33	31.3	1.60	1.50	0.00/0.06	30.5	0.25/0.50	5.2	3.7	2.5	9.30
34	32.3	1.60	1.50	0.00/0.06	31.5	0.25/0.50	5.4	3.8	2.5	9.30
35	33.0	1.60	1.50	0.00/0.06	32.2	0.25/0.50	5.6	3.9	2.5	10.20
36	34.0	1.85	1.75	0.00/0.06	33.2	0.25/0.50	5.6	4.0	2.5	9.60
37	35.0		1.75		34.2					9.90
38	36.0	1.85	1.75	0.00/0.06	35.2	0.25/0.50	5.8	4.2	2.5	10.80
39	37.0		1.75		36.0					11.40
40	37.5	1.85	1.75	0.00/0.06	36.5	0.39/0.90	6.0	4.4	2.5	11.40
41	38.5		1.75		37.5					12.30
42	39.5	1.85	1.75	0.00/0.06	38.5	0.39/0.90	6.5	4.5	2.5	13.20
44	41.5		1.75		40.5					13.80
45	42.5	1.85	1.75	0.00/0.06	41.5	0.39/0.90	6.7	4.7	2.5	13.80
46	43.5	1.85	1.75	0.00/0.06	42.5	0.39/0.90	6.7	4.8	2.5	14.10
47	44.5	1.85	1.75	0.00/0.06	43.5	0.39/0.90	6.8	4.9	2.5	14.10
48	45.5	1.85	1.75	0.00/0.06	44.5	0.39/0.90	6.9	5.0	2.5	15.00
50	47.0	2.15	2.00	0.00/0.06	45.8	0.39/0.90	6.9	5.1	2.5	16.50
52	49.0	2.15	2.00	0.00/0.06	47.8	0.39/0.90	7.0	5.2	2.5	17.10
54	51.0	2.15	2.00	0.00/0.06	49.8	0.46/1.10	7.1	5.3	2.5	18.30

SHAFT S	GROOVE (G)			CIRCLIP (F)						PRICE Per No.
	G	W	t	Tol.(+/-)	D	Tol.(+/-)	L(max)	b~	h(min)	
55	52.0	2.15	2.00	0.00/0.06	50.8	0.46/1.10	7.2	5.4	2.5	19.20
56	53.0	2.15	2.00	0.00/0.06	51.8	0.46/1.10	7.3	5.5	2.5	20.70
57	54.0		2.00		52.8					23.10
58	55.0	2.15	2.00	0.00/0.06	53.8	0.46/1.10	7.3	5.6	2.5	23.10
60	57.0	2.15	2.00	0.00/0.06	55.8	0.46/1.10	7.4	5.8	2.5	25.80
62	59.0	2.15	2.00	0.00/0.06	57.8	0.46/1.10	7.5	6.0	2.5	27.30
63	60.0	2.15	2.00	0.00/0.06	58.8	0.46/1.10	7.6	6.2	2.5	29.40
65	62.0	2.65	2.50	0.00/0.06	60.8	0.46/1.10	7.8	6.3	3.0	33.00
67	64.0	2.65	2.50	0.00/0.06	62.5	0.46/1.10	7.9	6.4	3.0	34.80
68	65.0	2.65	2.50	0.00/0.06	63.5	0.46/1.10	8.0	6.5	3.0	34.80
70	67.0	2.65	2.50	0.00/0.06	65.5	0.46/1.10	8.1	6.6	3.0	39.30
72	69.0	2.65	2.50	0.00/0.06	67.5	0.46/1.10	8.2	6.8	3.0	40.50
75	72.0	2.65	2.50	0.00/0.06	70.5	0.46/1.10	8.4	7.0	3.0	43.20
77	74.0	2.65	2.50	0.00/0.06	72.5	0.46/1.10	8.5	7.2	3.0	44.70
78	75.0	2.65	2.50	0.00/0.06	73.5	0.46/1.10	8.6	7.3	3.0	44.70
80	76.5	2.65	2.50	0.00/0.06	74.5	0.46/1.10	8.6	7.4	3.0	47.40
82	78.5	2.65	2.50	0.00/0.06	76.5	0.46/1.10	8.7	7.6	3.0	49.20
85	81.5	3.15	3.00	0.00/0.06	79.5	0.46/1.10	8.7	7.8	3.5	51.00
87	83.5		3.00		81.5					58.20
88	84.5	3.15	3.00	0.00/0.06	82.5	0.54/1.30	8.8	8.0	3.5	58.20
90	86.5	3.15	3.00	0.00/0.06	84.5	0.54/1.30	8.8	8.2	3.5	58.20
92	88.5		3.00		86.5					59.40
95	91.5	3.15	3.00	0.00/0.06	89.5	0.54/1.30	9.4	8.6	3.5	65.40
97	93.5		3.00		91.5					69.60
98	94.5	3.15	3.00	0.00/0.06	92.5	0.54/1.30	9.5	9.0	3.5	69.60
100	96.5	3.15	3.00	0.00/0.06	94.5	0.54/1.30	9.6	9.0	3.5	79.80
102	98.0	4.15	4.00	0.00/0.075	95.0	0.54/1.30	9.7	9.2	3.5	85.50
105	101.0	4.15	4.00	0.00/0.075	98.0	0.54/1.30	9.9	9.3	3.5	91.80
107	103.0		4.00		100.0					93.60
108	104.0	4.15	4.00	0.00/0.075	101.0	0.54/1.30	10.0	9.5	3.5	93.60
110	106.0	4.15	4.00	0.00/0.075	103.0	0.54/1.30	10.1	9.6	3.5	93.60
112	108.0		4.00		105.0					99.90
115	111.0	4.15	4.00	0.00/0.075	108.0	0.54/1.30	10.6	9.8	3.5	99.90
117	113.0		4.00		110.0					110.10
118	114.0		4.00		111.0					110.10
120	116.0	4.15	4.00	0.00/0.075	113.0	0.54/1.30	11.0	10.2	3.5	110.10
122	118.0		4.00		115.0					120.30
125	121.0	4.15	4.00	0.00/0.075	118.0	0.54/1.30	11.4	10.4	4.0	120.30
127	123.0		4.00		120.0					132.30
128	124.0		4.00		121.0					132.30
130	126.0	4.15	4.00	0.00/0.075	123.0	0.63/1.50	11.6	10.7	4.0	132.30
132	128.0		4.00		125.0					150.30
135	131.0	4.15	4.00	0.00/0.075	128.0	0.63/1.50	11.8	11.0	4.0	150.30
137	133.0		4.00		130.0					165.60
138	134.0		4.00		131.0					165.60
140	136.0	4.15	4.00	0.00/0.075	133.0	0.63/1.50	12.0	11.2	4.0	165.60
142	138.0		4.00		135.0					193.20
145	141.0	4.15	4.00	0.00/0.075	138.0	0.63/1.50	12.2	11.5	4.0	193.20

EXTERNAL CIRCLIPS AS PER DIN 471



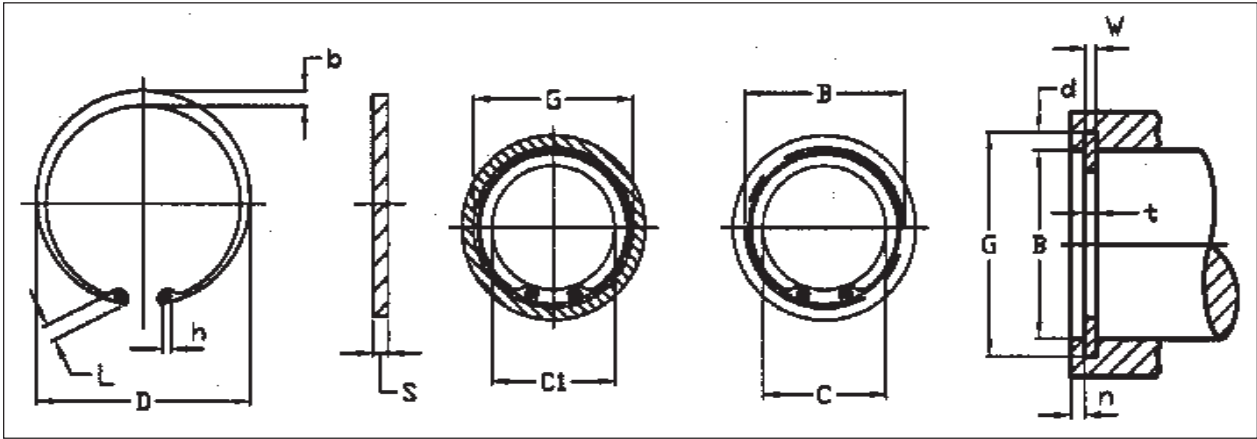
SHAFT S	GROOVE (G)			CIRCLIP (F)						PRICE Per No.
	G	W	t	Tol.(+/-)	D	Tol.(+/-)	L(max)	b~	h(min)	
147	143.0		4.00		140.0					212.20
148	144.0		4.00		141.0					212.20
150	145.0	4.15	4.00	0.00/0.075	142.0	0.63/1.50	13.0	11.8	4.0	212.10
152	147.0		4.00		143.0					240.90
155	150.0	4.15	4.00	0.00/0.075	146.0	0.63/1.50	13.0	12.0	4.0	240.90
157	152.0		4.00		148.0					281.70
158	153.0		4.00		149.0					281.70
160	155.0	4.15	4.00	0.00/0.075	151.0	0.63/1.50	13.3	12.2	4.0	281.70
162	157.0		4.00		152.5					312.00
165	160.0	4.15	4.00	0.00/0.075	155.5	0.63/1.50	13.5	12.5	4.0	312.00
167	162.0		4.00		157.5					411.00
168	163.0		4.00		158.5					411.00
170	165.0	4.15	4.00	0.00/0.075	160.5	0.63/1.50	13.5	12.9	4.0	411.00
172	167.0		4.00		162.5					429.00
175	170.0	4.15	4.00	0.00/0.075	165.5	0.63/1.50	13.5	12.9	4.0	429.00
177	172.0		4.00		167.5					450.00
178	173.0		4.00		168.5					450.00
180	175.0	4.15	4.00	0.00/0.075	170.5	0.63/1.50	14.2	13.5	4.0	450.00
182	177.0		4.00		172.5					468.00
185	180.0	4.15	4.00	0.00/0.075	175.5	0.63/1.50	14.2	13.5	4.0	468.00
187	182.0		4.00		177.5					489.00
188	183.0		4.00		178.5					489.00
190	185.0	4.15	4.00	0.00/0.075	180.5	0.72/1.70	14.2	14.0	4.0	489.00
192	187.0		4.00		182.5					507.00
195	190.0	4.15	4.00	0.00/0.075	185.5	0.72/1.70	14.2	14.0	4.0	507.00
197	192.0		4.00		187.5					528.00
198	193.0		4.00		188.5					528.00
200	195.0	4.15	4.00	0.00/0.075	190.5	0.72/1.70	14.2	14.0	4.0	528.00
202	196.0		5.00		190.0					1209.00
205	199.0	5.15	5.00	0.00/0.075	193.0	0.72/1.70	14.2	14.0	4.0	1209.00
207	201.0		5.00		195.0					1209.00
208	202.0		5.00		196.0					1209.00
210	204.0	5.15	5.00	0.00/0.075	198.0	0.72/1.70	14.2	14.0	4.0	1209.00
212	206.0		5.00		200.0					1311.00
215	209.0		5.00		203.0					1311.00
217	211.0		5.00		205.0					1311.00
218	212.0		5.00		206.0					1311.00
220	214.0	5.15	5.00	0.00/0.075	208.0	0.72/1.70	14.2	14.0	4.0	1311.00
222	216.0		5.00		210.0					1416.00
225	219.0		5.00		213.0					1416.00
227	221.0		5.00		215.0					1416.00
228	222.0		5.00		216.0					1416.00
230	224.0	5.15	5.00	0.00/0.075	218.0	0.72/1.70	14.2	14.0	4.0	1416.00
232	226.0		5.00		220.0					1518.00
235	229.0		5.00		223.0					1518.00
237	231.0		5.00		225.0					1518.00
238	232.0		5.00		226.0					1518.00
240	234.0	5.15	5.00	0.00/0.075	228.0	0.72/1.70	14.2	14.0	4.0	1518.00
242	236.0		5.00		230.0					1623.00
245	239.0		5.00		233.0					1623.00
247	241.0		5.00		235.0					1623.00
248	242.0		5.00		236.0					1623.00

SHAFT S	GROOVE (G)			CIRCLIP (F)						PRICE Per No.
	G	W	t	Tol.(+/-)	D	Tol.(+/-)	L(max)	b~	h(min)	
250	244.0	5.15	5.00	0.00/0.075	238.0	0.72/1.70	14.2	14.0	4.0	1623.00
252	244.0		5.00		237.0					1725.00
255	247.0		5.00		240.0					1725.00
257	249.0		5.00		242.0					1725.00
258	250.0		5.00		243.0					1725.00
260	252.0	5.15	5.00	0.00/0.075	245.0	0.72/1.70	16.0	16.0	5.0	1725.00
262	254.0		5.00		247.0					1830.00
265	257.0		5.00		250.0					1830.00
267	259.0		5.00		252.0					1830.00
268	260.0		5.00		253.0					1830.00
270	262.0	5.15	5.00	0.00/0.075	255.0	0.81/2.00	16.0	16.0	5.0	1830.00
272	264.0		5.00		257.0					1932.00
275	267.0		5.00		260.0					1932.00
277	269.0		5.00		262.0					1932.00
278	270.0		5.00		263.0					1932.00
280	272.0	5.15	5.00	0.00/0.075	265.0	0.81/2.00	16.0	16.0	5.0	1932.00
282	274.0		5.00		267.0					2037.00
285	277.0		5.00		270.0					2037.00
287	279.0		5.00		272.0					2037.00
288	280.0		5.00		273.0					2037.00
290	282.0	5.15	5.00	0.00/0.075	275.0	0.81/2.00	16.0	16.0	5.0	2037.00
292	284.0		5.00		277.0					2139.00
295	287.0		5.00		280.0					2139.00
297	289.0		5.00		282.0					2139.00
298	290.0		5.00		283.0					2139.00
300	292.0	5.15	5.00	0.00/0.075	285.0	0.81/2.00	16.0	16.0	5.0	2139.00
305	295.0		6.00		288.0					2829.00
310	300.0	6.20	6.00	0.00/0.18	293.0	1.00/2.20	20.0	20.0	6.0	3036.00
315	305.0		6.00		298.0					3243.00
320	310.0	6.20	6.00	0.00/0.18	303.0	1.00/2.20	20.0	20.0	6.0	3450.00
325	315.0		6.00		308.0					3657.00
330	320.0	6.20	6.00	0.00/0.18	313.0	1.00/2.20	20.0	20.0	6.0	3864.00
335	325.0		6.00		318.0					4071.00
340	330.0	6.20	6.00	0.00/0.18	323.0	1.00/2.20	20.0	20.0	6.0	4278.00
345	335.0		6.00		328.0					4485.00
350	340.0	6.20	6.00	0.00/0.18	333.0	1.00/2.20	20.0	20.0	6.0	4485.00
355	345.0		6.00		338.0					4692.00
360	350.0	6.20	6.00	0.00/0.18	343.0	1.00/2.20	20.0	20.0	6.0	4692.00
365	355.0		6.00		348.0					4899.00
370	360.0	6.20	6.00	0.00/0.18	353.0	1.00/2.20	20.0	20.0	6.0	4899.00
375	365.0		6.00		358.0					5106.00
380	370.0	6.20	6.00	0.00/0.18	363.0	1.00/2.20	20.0	20.0	6.0	5106.00
385	375.0		6.00		368.0					5313.00
390	380.0	6.20	6.00	0.00/0.18	373.0	1.00/2.20	20.0	20.0	6.0	5313.00
395	385.0		6.00		378.0					5520.00
400	390.0	6.20	6.00	0.00/0.18	383.0	1.00/2.20	20.0	20.0	6.0	5520.00
410	398.0		7.00		390.0					6384.00
420	408.0		7.00		400.0					6813.00
430	418.0		7.00		410.0					7200.00
440	428.0		7.00		420.0					7677.00
450	438.0		7.00		430.0					8109.00

**Gurudev Says :**  
**Business and Love:**

**Business and love are opposite in nature.**  
**In business one gives less and takes more; in love you give more and take less.**  
**And yet, business cannot exclude love, as love is the driving force for progress**  
**- the passion for business should not cloud the love and caring for humanity.**  
**It doesn't matter what name you give to love.**  
**You can call love 'social responsibility' or 'humanism'.**  
**It is all the same. Divine love, cosmic love,**  
**loving oneself, loving the society around us and loving God are all different dimensions of the same truth.**

INTERNAL CIRCLIPS AS PER DIN 472



BORE		GROOVE (G)			CIRCLIP (F)				TC	PRICE
B	G	W	t	Tol.(+/-)	D	Tol.(+/-)	b~	h(min)	Per No.	
8.0	8.4	0.90	0.80	0.00/0.06	8.7	0.36/0.18	1.1	1.0	1.50	
9.0	9.4	0.90	0.80	0.00/0.06	9.8	0.36/0.18	1.3	1.0	1.50	
9.5	9.9	1.10	1.00	0.00/0.06	10.3	0.36/0.18	1.4	1.2	1.50	
10.0	10.4	1.10	1.00	0.00/0.06	10.8	0.36/0.18	1.4	1.2	1.80	
10.5	10.9	1.10	1.00		11.3			1.2	1.80	
11.0	11.4	1.10	1.00	0.00/0.06	11.8	0.36/0.18	1.5	1.2	1.80	
12.0	12.5	1.10	1.00	0.00/0.06	13.0	0.36/0.18	1.7	1.5	2.10	
13.0	13.6	1.10	1.00	0.00/0.06	14.1	0.36/0.18	1.8	1.5	2.10	
14.0	14.6	1.10	1.00	0.00/0.06	15.1	0.36/0.18	1.9	1.7	2.40	
15.0	15.7	1.10	1.00	0.00/0.06	16.2	0.36/0.18	2.0	1.7	2.40	
16.0	16.8	1.10	1.00	0.00/0.06	17.3	0.36/0.18	2.0	1.7	2.40	
17.0	17.8	1.10	1.00	0.00/0.06	18.3	0.42/0.21	2.1	1.7	2.70	
18.0	19.0	1.10	1.00	0.00/0.06	19.5	0.42/0.21	2.2	2.0	2.70	
19.0	20.0	1.10	1.00	0.00/0.06	20.5	0.42/0.21	2.2	2.0	3.00	
20.0	21.0	1.10	1.00	0.00/0.06	21.5	0.42/0.21	2.3	2.0	3.30	
21.0	22.0	1.10	1.00	0.00/0.06	22.5	0.42/0.21	2.4	2.0	3.30	
22.0	23.0	1.10	1.00	0.00/0.06	23.5	0.42/0.21	2.5	2.0	3.60	
23.0	24.1	1.30	1.20	0.00/0.06	24.6	0.42/0.21	2.5	2.0	4.20	
24.0	25.2	1.30	1.20	0.00/0.06	25.9	0.42/0.21	2.6	2.0	4.20	
25.0	26.2	1.30	1.20	0.00/0.06	26.9	0.42/0.21	2.7	2.0	4.80	
26.0	27.2	1.30	1.20	0.00/0.06	27.9	0.42/0.21	2.8	2.0	5.40	
27.0	28.4	1.30	1.20	0.00/0.06	29.1	0.50/0.25	2.9	2.0	6.00	
28.0	29.4	1.30	1.20	0.00/0.06	30.1	0.50/0.25	2.9	2.0	6.00	
29.0	30.4	1.30	1.20	0.00/0.06	31.1	0.50/0.25	3.0	2.0	6.30	
30.0	31.4	1.30	1.20	0.00/0.06	32.1	0.50/0.25	3.0	2.0	6.30	
31.0	32.7	1.30	1.20	0.00/0.06	33.4	0.50/0.25	3.2	2.5	6.90	
32.0	33.7	1.30	1.20	0.00/0.06	34.4	0.50/0.25	3.2	2.5	6.90	
33.0	34.7	1.30	1.20	0.00/0.06	35.5	0.50/0.25	3.3	2.5	7.20	
34.0	35.7	1.60	1.50	0.00/0.06	36.5	0.50/0.25	3.3	2.5	7.20	
35.0	37.0	1.60	1.50	0.00/0.06	37.8	0.50/0.25	3.4	2.5	7.20	
36.0	38.0	1.60	1.50	0.00/0.06	38.8	0.50/0.25	4.0	2.5	6.60	
37.0	39.0	1.60	1.50	0.00/0.06	39.8	0.50/0.25	3.2	2.5	6.90	
38.0	40.0	1.60	1.50	0.00/0.06	40.8	0.50/0.25	3.7	2.5	7.20	
39.0	41.0		1.50		42.0			2.5	7.80	
40.0	42.5	1.85	1.75	0.00/0.06	43.5	0.90/0.39	3.9	2.5	7.80	
41.0	43.5	1.85	1.75	0.00/0.06	44.5	0.90/0.39	4.0	2.5	8.10	
42.0	44.5	1.85	1.75	0.00/0.06	45.5	0.90/0.39	4.1	2.5	8.40	
43.0	45.5		1.75		46.5			2.5	8.70	
44.0	46.5		1.75		47.5			2.5	8.70	
45.0	47.5	1.85	1.75	0.00/0.06	48.5	0.90/0.39	4.3	2.5	8.70	
46.0	48.5		1.75		49.5			2.5	9.60	
47.0	49.5	1.85	1.75	0.00/0.06	50.5	1.10/0.46	4.4	2.5	9.60	
48.0	50.5	1.85	1.75	0.00/0.06	51.5	1.10/0.46	4.5	2.5	10.50	
50.0	53.0	2.15	2.00	0.00/0.06	54.2	1.10/0.46	4.6	2.5	10.80	
51.0	54.0	2.15	2.00	0.00/0.06	55.2	1.10/0.46	4.7	2.5	11.10	
52.0	55.0	2.15	2.00	0.00/0.06	56.2	1.10/0.46	4.7	2.5	11.10	

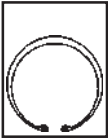
BORE		GROOVE (G)			CIRCLIP (F)				TC	PRICE
B	G	W	t	Tol.(+/-)	D	Tol.(+/-)	b~	h(min)	Per No.	
53.0	56.0		2.00		57.2			2.5	12.00	
54.0	57.0		2.00		58.2			2.5	12.00	
55.0	58.0	2.15	2.00	0.00/0.06	59.2	1.10/0.46	5.0	2.5	12.60	
56.0	59.0	2.15	2.00	0.00/0.06	60.2	1.10/0.46	5.1	2.5	14.70	
57.0	60.0	2.15	2.00	0.00/0.06	61.2	1.10/0.46	5.1	2.5	15.90	
58.0	61.0	2.15	2.00	0.00/0.06	62.2	1.10/0.46	5.2	2.5	15.90	
60.0	63.0	2.15	2.00	0.00/0.06	64.2	1.10/0.46	5.4	2.5	16.80	
62.0	65.0	2.15	2.00	0.00/0.06	66.2	1.10/0.46	5.5	2.5	17.40	
63.0	66.0	2.15	2.00	0.00/0.06	67.2	1.10/0.46	5.6	2.5	19.80	
65.0	68.0	2.65	2.50	0.00/0.06	69.2	1.10/0.46	5.8	3.0	24.60	
67.0	70.0	2.65	2.50	0.00/0.06	71.5	1.10/0.46	6.0	3.0	25.80	
68.0	71.0	2.65	2.50	0.00/0.06	72.5	1.10/0.46	6.1	3.0	25.80	
70.0	73.0	2.65	2.50	0.00/0.06	74.5	1.10/0.46	6.2	3.0	26.40	
72.0	75.0	2.65	2.50	0.00/0.06	76.5	1.10/0.46	6.4	3.0	27.30	
75.0	78.0	2.65	2.50	0.00/0.06	79.5	1.10/0.46	6.6	3.0	28.50	
76.0	79.0	2.65	2.50	0.00/0.06	80.5	1.30/0.54	6.7	3.0	29.70	
77.0	80.0		2.50		81.5			3.0	29.70	
78.0	81.0	2.65	2.50	0.00/0.06	82.5	1.30/0.54	6.8	3.0	29.70	
80.0	83.5	2.65	2.50	0.00/0.06	85.5	1.30/0.54	7.0	3.0	32.70	
81.0	84.5		2.50		86.5			3.0	35.40	
82.0	85.5	2.65	2.50	0.00/0.06	87.5	1.30/0.54	7.0	3.0	35.40	
85.0	88.5	3.15	3.00	0.00/0.06	90.5	1.30/0.54	7.2	3.5	39.00	
87.0	90.5		3.00		92.5			3.5	42.00	
88.0	91.5	3.15	3.00	0.00/0.06	93.5	1.30/0.54	7.4	3.5	42.00	
90.0	93.5	3.15	3.00	0.00/0.06	95.5	1.30/0.54	7.6	3.5	43.80	
92.0	95.5	3.15	3.00	0.00/0.06	97.5	1.30/0.54	7.8	3.5	45.00	
95.0	98.0	3.15	3.00	0.00/0.06	100.5	1.30/0.54	8.1	3.5	50.10	
97.0	100.5		3.00		102.5			3.5	51.60	
98.0	101.5	3.15	3.00	0.00/0.06	103.5	1.30/0.54	8.3	3.5	51.60	
100.0	103.5	3.15	3.00	0.00/0.06	105.5	1.30/0.54	8.4	3.5	54.90	
102.0	106.0	4.15	4.00	0.00/0.075	108.0	1.30/0.54	8.5	3.5	60.00	
105.0	109.0	4.15	4.00	0.00/0.075	112.0	1.30/0.54	8.7	3.5	60.00	
107.0	111.0		4.00		114.0			3.5	63.60	
108.0	112.0	4.15	4.00	0.00/0.075	115.0	1.30/0.54	8.9	3.5	63.60	
110.0	114.0	4.15	4.00	0.00/0.075	117.0	1.30/0.54	9.0	3.5	63.60	
112.0	116.0	4.15	4.00	0.00/0.075	119.0	1.30/0.54	9.1	3.5	74.70	
115.0	119.0	4.15	4.00	0.00/0.075	122.0	1.50/0.63	9.3	3.5	74.70	
117.0	121.0		4.00		124.0			3.5	79.20	
118.0	122.0		4.00		125.0			3.5	79.20	
120.0	124.0	4.15	4.00	0.00/0.075	127.0	1.50/0.63	9.7	3.5	79.20	
122.0	126.0		4.00		129.0			4.0	82.20	
125.0	129.0	4.15	4.00	0.00/0.075	132.0	1.50/0.63	10.0	4.0	82.20	
127.0	131.0	4.15	4.00	0.00/0.075	134.0	1.50/0.63	10.1	4.0	89.40	
128.0	132.0		4.00		135.0			4.0	89.40	
130.0	134.0	4.15	4.00	0.00/0.075	137.0	1.50/0.63	10.2	4.0	89.40	
132.0	136.0		4.00		139.0			4.0	96.30	

Gurudev Says :

Every time you feel pain in your heart or in your mind,  
you can turn it into an experience of great love.

Sri Sri Ravishankar

**INTERNAL CIRCLIPS AS PER DIN 472**



BORE B	GROOVE (G)		CIRCLIP (F)				TC h(min)	PRICE Per No.	
	G	W	t	Tol.(+/-)	D	Tol.(+/-)			b~
135.0	139.0	4.15	4.00	0.00/0.075	142.0	1.50/0.63	10.5	4.0	96.30
137.0	141.0		4.00		144.0			4.0	107.40
138.0	142.0		4.00		145.0			4.0	107.40
140.0	144.0	4.15	4.00	0.00/0.075	147.0	1.50/0.63	10.7	4.0	107.40
142.0	146.0		4.00		149.0			4.0	118.80
145.0	149.0	4.15	4.00	0.00/0.075	152.0	1.50/0.63	10.9	4.0	118.80
147.0	151.0		4.00		154.0			4.0	144.30
148.0	152.0		4.00		155.0			4.0	144.30
150.0	155.0	4.15	4.00	0.00/0.075	158.0	1.50/0.63	11.2	4.0	144.30
152.0	157.0		4.00		161.0			4.0	179.10
155.0	160.0	4.15	4.00	0.00/0.075	164.0	1.50/0.63	11.4	4.0	179.10
157.0	162.0		4.00		166.0			4.0	197.40
158.0	163.0		4.00		167.0			4.0	197.40
160.0	165.0	4.15	4.00	0.00/0.075	169.0	1.50/0.63	11.6	4.0	197.40
162.0	167.0		4.00		171.5			4.0	215.10
165.0	170.0	4.15	4.00	0.00/0.075	174.5	1.50/0.63	11.8	4.0	215.10
167.0	172.0		4.00		176.5			4.0	399.00
168.0	173.0		4.00		177.5			4.0	399.00
170.0	175.0	4.15	4.00	0.00/0.075	179.5	1.50/0.63	12.2	4.0	399.00
172.0	177.0		4.00		181.5			4.0	417.00
175.0	180.0	4.15	4.00	0.00/0.075	184.5	1.70/0.72	12.7	4.0	417.00
177.0	182.0		4.00		186.5			4.0	438.00
178.0	183.0		4.00		187.5			4.0	438.00
180.0	185.0	4.15	4.00	0.00/0.075	189.5	1.70/0.72	13.2	4.0	438.00
182.0	187.0		4.00		191.5			4.0	456.00
185.0	190.0	4.15	4.00	0.00/0.075	194.5	1.70/0.72	13.7	4.0	456.00
187.0	192.0		4.00		196.5			4.0	474.00
188.0	193.0		4.00		197.5			4.0	474.00
190.0	195.0	4.15	4.00	0.00/0.075	199.5	1.70/0.72	13.8	4.0	474.00
192.0	197.0		4.00		201.5			4.0	495.00
195.0	200.0	4.15	4.00	0.00/0.075	204.5	1.70/0.72	13.8	4.0	495.00
197.0	202.0		4.00		206.5			4.0	516.00
198.0	203.0		4.00		207.5			4.0	516.00
200.0	205.0	4.15	4.00	0.00/0.075	209.5	1.70/0.72	14.0	4.0	516.00
202.0	208.0		5.00		214.0			4.0	1209.00
205.0	211.0		5.00		217.0			4.0	1209.00
207.0	213.0		5.00		219.0			4.0	1209.00
208.0	214.0		5.00		220.0			4.0	1209.00
210.0	216.0	5.15	5.00	0.00/0.075	222.0	1.70/0.72	14.0	4.0	1209.00
212.0	218.0		5.00		224.0			4.0	1311.00
215.0	221.0		5.00		227.0			4.0	1311.00
217.0	223.0		5.00		229.0			4.0	1311.00
218.0	224.0		5.00		230.0			4.0	1311.00
220.0	226.0	5.15	5.00	0.00/0.075	232.0	1.70/0.72	14.0	4.0	1311.00
222.0	228.0		5.00		234.0			4.0	1416.00
225.0	231.0		5.00		237.0			4.0	1416.00
227.0	233.0		5.00		239.0			4.0	1416.00
228.0	234.0		5.00		240.0			4.0	1416.00
230.0	236.0	5.15	5.00	0.00/0.075	242.0	1.70/0.72	14.0	4.0	1416.00
232.0	238.0		5.00		244.0			4.0	1518.00
235.0	241.0		5.00		247.0			4.0	1518.00
237.0	243.0		5.00		249.0			4.0	1518.00
238.0	244.0		5.00		250.0			4.0	1518.00
240.0	246.0	5.15	5.00	0.00/0.075	252.0	2.00/0.81	14.0	4.0	1518.00
242.0	248.0		5.00		254.0			4.0	1623.00

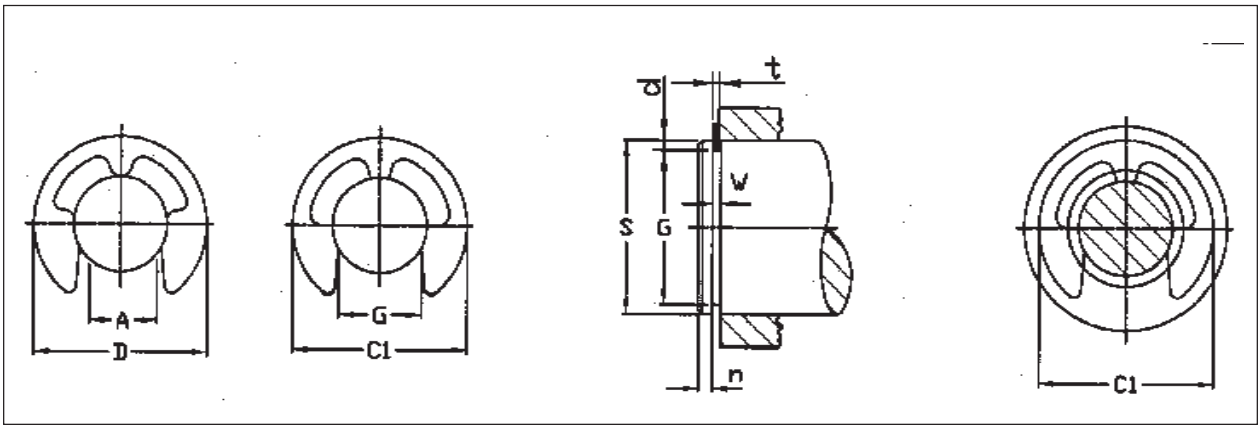
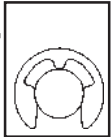
BORE B	GROOVE (G)		CIRCLIP (F)				TC h(min)	PRICE Per No.	
	G	W	t	Tol.(+/-)	D	Tol.(+/-)			b~
245.0	251.0		5.00		257.0			4.0	1623.00
247.0	253.0		5.00		259.0			4.0	1623.00
248.0	254.0		5.00		260.0			4.0	1623.00
250.0	256.0	5.15	5.00	0.00/0.075	262.0	2.00/0.81	14.0	4.0	1623.00
252.0	260.0		5.00		267.0			5.0	1725.00
255.0	263.0		5.00		270.0			5.0	1725.00
257.0	265.0		5.00		272.0			5.0	1725.00
258.0	266.0		5.00		273.0			5.0	1725.00
260.0	268.0	5.15	5.00	0.00/0.075	275.0	2.00/0.81	16.0	5.0	1725.00
262.0	270.0		5.00		277.0			5.0	1830.00
265.0	273.0		5.00		280.0			5.0	1830.00
267.0	275.0		5.00		282.0			5.0	1830.00
268.0	276.0		5.00		283.0			5.0	1830.00
270.0	278.0	5.15	5.00	0.00/0.075	285.0	2.00/0.81	16.0	5.0	1830.00
272.0	280.0		5.00		287.0			5.0	1932.00
275.0	283.0		5.00		290.0			5.0	1932.00
277.0	285.0		5.00		292.0			5.0	1932.00
278.0	286.0		5.00		293.0			5.0	1932.00
280.0	288.0	5.15	5.00	0.00/0.075	295.0	2.00/0.81	16.0	5.0	1932.00
282.0	290.0		5.00		297.0			5.0	2037.00
285.0	293.0		5.00		300.0			5.0	2037.00
287.0	295.0		5.00		302.0			5.0	2037.00
288.0	296.0		5.00		303.0			5.0	2037.00
290.0	298.0	5.15	5.00	0.00/0.075	305.0	2.00/0.81	16.0	5.0	2037.00
292.0	300.0		5.00		307.0			5.0	2139.00
295.0	303.0		5.00		310.0			5.0	2139.00
297.0	305.0		5.00		312.0			5.0	2139.00
298.0	306.0		5.00		313.0			5.0	2139.00
300.0	308.0	5.15	5.00	0.00/0.075	315.0	2.00/0.81	16.0	5.0	2139.00
305.0	315.0		6.00		322.0			6.0	2829.00
310.0	320.0	6.20	6.00	0.00/0.18	327.0	2.20/1.00	20.0	6.0	3036.00
315.0	325.0		6.00		332.0			6.0	3243.00
320.0	330.0	6.20	6.00	0.00/0.18	337.0	2.20/1.00	20.0	6.0	3450.00
325.0	335.0		6.00		342.0			6.0	3657.00
330.0	340.0	6.20	6.00	0.00/0.18	347.0	2.20/1.00	20.0	6.0	3864.00
335.0	345.0		6.00		352.0			6.0	4071.00
340.0	350.0	6.20	6.00	0.00/0.18	357.0	2.20/1.00	20.0	6.0	4278.00
345.0	355.0		6.00		362.0			6.0	4485.00
350.0	360.0	6.20	6.00	0.00/0.18	367.0	2.20/1.00	20.0	6.0	4485.00
355.0	365.0		6.00		372.0			6.0	4692.00
360.0	370.0	6.20	6.00	0.00/0.18	377.0	2.20/1.00	20.0	6.0	4692.00
365.0	375.0		6.00		382.0			6.0	4899.00
370.0	380.0	6.20	6.00	0.00/0.18	387.0	2.20/1.00	20.0	6.0	4899.00
375.0	385.0		6.00		392.0			6.0	5106.00
380.0	390.0	6.20	6.00	0.00/0.18	397.0	2.20/1.00	20.0	6.0	5106.00
385.0	395.0		6.00		402.0			6.0	5313.00
390.0	400.0	6.20	6.00	0.00/0.18	407.0	2.20/1.00	20.0	6.0	5313.00
395.0	405.0		6.00		412.0			6.0	5520.00
400.0	410.0	6.20	6.00	0.00/0.18	417.0	2.20/1.00	20.0	6.0	5520.00
410.0	422.0		7.00		430.0			6.0	6384.00
420.0	432.0		7.00		440.0			6.0	6813.00
430.0	442.0		7.00		450.0			6.0	7245.00
440.0	452.0		7.00		460.0			6.0	7677.00
450.0	462.0		7.00		470.0			6.0	8109.00
460.0	472.0		7.00		480.0			6.0	8538.00

Gurudev Says : Ashram :

“Ashram” means what?  
 Where you come and all the efforts, all the strains of the mind, heart and body  
 – everything drops. All fears drop, insecurities drop, you get such a deep rest.  
 You know there is some power, someone, who is really caring for you  
 – not just someone, there is just ONE caring for you,  
 and taking care. Relax.....rest.....

Sri Sri Ravishankar

E-TYPE CIRCLIP AS PER DIN 6799

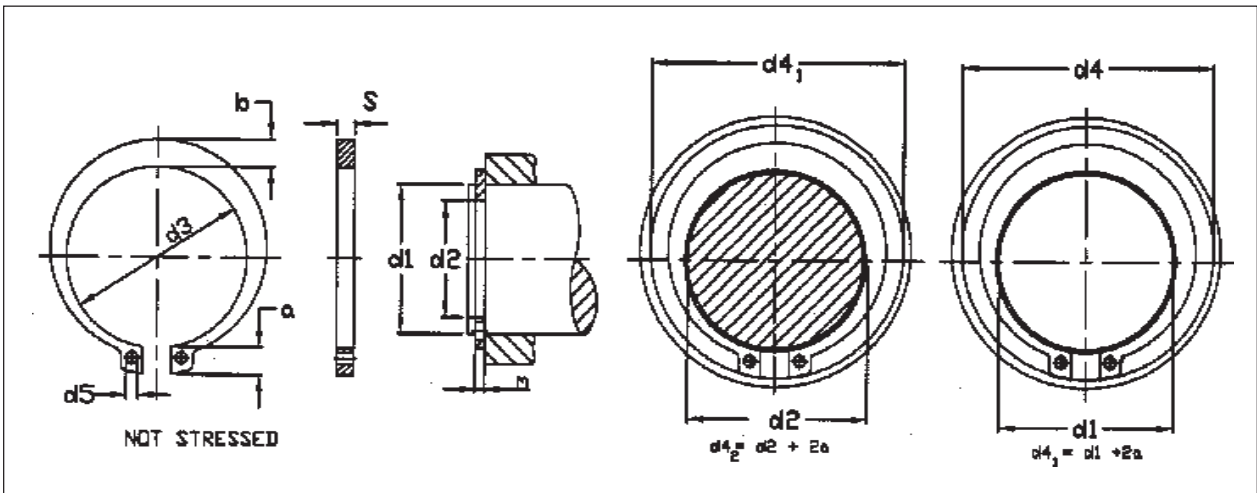
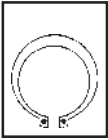


REF. NO.	SHAFT (S)		Groove (G)						Circlip (F)					Price Per Nos.	
	S	Tol.(+/-)	G	Tol.(+/-)	W	Tol.(+/-)	n (min)	d (Nom)	t	Tol.(+/-)	D ~	C1 ~	A		Tol.(+/-)
0.8	1.20	0.20	0.8	0.00/0.06	0.24	0.02/0.00	0.4	0.20	0.20	0.02	1.95	2.0	0.58	0.040	0.90
1.2	1.70	0.30	1.2	0.00/0.06	0.34	0.02/0.00	0.6	0.25	0.30	0.02	2.90	3.0	1.01	0.040	0.90
1.5	2.25	0.25	1.5	0.00/0.06	0.44	0.02/0.00	0.8	0.38	0.40	0.02	3.90	4.0	1.28	0.040	0.90
1.9	2.75	0.25	1.9	0.00/0.06	0.54	0.03/0.00	1.0	0.43	0.50	0.02	4.40	4.5	1.61	0.040	0.90
2.3	3.50	0.50	2.3	0.00/0.06	0.64	0.03/0.00	1.0	0.60	0.60	0.02	5.90	6.0	1.94	0.040	0.90
3.2	4.50	0.50	3.2	0.00/0.07	0.64	0.03/0.00	1.0	0.65	0.60	0.02	6.80	7.0	2.70	0.040	0.90
4.0	6.00	1.00	4.0	0.00/0.07	0.74	0.03/0.00	1.2	1.00	0.70	0.02	8.80	9.0	3.34	0.048	0.90
5.0	7.00	1.00	5.0	0.00/0.07	0.74	0.03/0.00	1.2	1.00	0.70	0.02	10.80	11.0	4.11	0.048	1.20
6.0	8.00	1.00	6.0	0.00/0.07	0.74	0.03/0.00	1.2	1.00	0.70	0.02	11.80	12.0	5.26	0.048	1.20
7.0	9.50	1.50	7.0	0.00/0.09	0.94	0.06/0.00	1.5	1.25	0.90	0.02	13.80	14.0	5.84	0.048	1.50
8.0	10.50	1.50	8.0	0.00/0.09	1.05	0.06/0.00	1.8	1.25	1.00	0.03	15.75	16.0	6.52	0.058	1.80
9.0	12.00	2.00	9.0	0.00/0.09	1.15	0.06/0.00	2.0	1.50	1.10	0.03	18.15	18.5	7.63	0.058	2.40
10.0	13.00	2.00	10.0	0.00/0.09	1.25	0.06/0.00	2.0	1.50	1.20	0.03	19.65	20.0	8.32	0.058	3.00
12.0	15.50	2.50	12.0	0.00/0.11	1.35	0.06/0.00	2.5	1.75	1.30	0.03	22.65	23.0	10.45	0.070	4.80
15.0	20.00	4.00	15.0	0.00/0.11	1.55	0.06/0.00	3.0	2.50	1.50	0.03	28.60	29.0	12.61	0.070	7.20
19.0	25.50	5.50	19.0	0.00/0.13	1.85	0.06/0.00	3.5	3.25	1.75	0.03	36.70	37.0	15.92	0.070	12.60
24.0	31.50	6.50	24.0	0.00/0.13	2.05	0.06/0.00	4.0	3.75	2.00	0.03	43.65	44.0	21.88	0.084	18.00

## ‘O’ RINGS

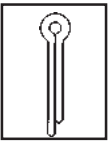
### PTFE ENCAPSULATED SILICONE & VITON

EXTERNAL CIRCLIPS AS PER DIN 471 - HEAVY DUTY



Nominal Dimension Shaft Dia. d1	RING						Price Per Nos.
	s h11	d3	Tol. +/-	a max	b ~	d5	
15	1.50	13.8	0.18/0.36	4.8	2.4	2.0	6.00
16	1.50	14.7	0.18/0.36	5.0	2.5	2.0	6.60
17	1.50	15.7	0.18/0.36	5.0	2.6	2.0	6.90
18	1.50	16.5	0.18/0.36	5.1	2.7	2.0	7.50
20	1.75	18.5	0.21/0.42	5.5	3.0	2.0	9.30
22	1.75	20.5	0.21/0.42		3.1	2.0	10.20
24	1.75	22.2	0.21/0.42	6.0	3.2	2.0	10.80
25	1.75	23.2	0.21/0.42	6.3	3.4	2.0	11.40
26							11.70
28	2.00	25.9	0.21/0.42	6.4	3.5	2.0	12.30
30	2.00	27.9	0.21/0.42	6.5	4.1	2.0	13.20
32	2.00	29.6	0.21/0.42		4.2	2.5	13.80
34	2.50	31.5	0.25/0.50	6.6	4.3	2.5	14.40
35	2.50	32.2	0.25/0.50	6.7	4.4	2.5	15.30
38	2.50	35.2	0.25/0.50	6.8	4.5	2.5	16.20
40	2.50	36.5	0.39/0.78	7.0	4.7	2.5	17.10
42	2.50	38.5	0.39/0.78	7.2	5.0	2.5	18.00
45	2.50	41.5	0.39/0.78	7.3	5.0	2.5	18.90

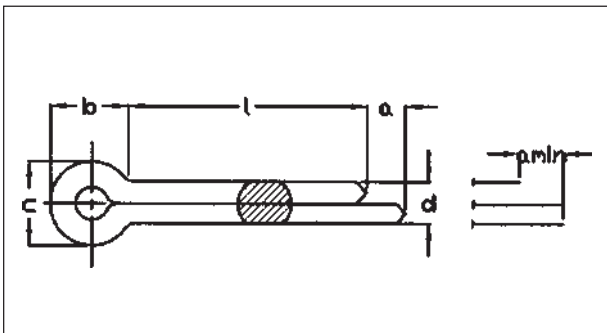
Nominal Dimension Shaft Dia. d1	RING						Price Per Nos.
	s h11	d3	Tol. +/-	a max	b ~	d5	
47							19.80
48	2.50	44.5	0.39/0.78	7.8	5.1	2.5	20.70
50	3.00	45.8	0.39/0.78	8.0	5.2	2.5	24.60
52	3.00	47.8	0.39/0.78	8.2	5.4	2.5	26.70
55	3.00	50.8	0.46/0.92	8.5	5.6	2.5	28.20
58	3.00	53.8	0.46/0.92	8.8	5.8	2.5	30.60
60	3.00	55.8	0.46/0.92	9.0	6.3	2.5	32.40
62							35.10
65	4.00	60.8	0.46/0.92	9.3	6.6	3.0	50.70
68							54.60
70	4.00	65.5	0.46/0.92	9.5	7.0	3.0	58.50
72							62.40
75	4.00	70.5	0.46/0.92	9.7	7.4	3.0	70.20
80	4.00	74.5	0.46/0.92	9.8	7.4	3.5	74.10
85	4.00	79.5	0.46/0.92	10.0	7.8	3.5	78.00
90	4.00	84.5	0.54/1.08	10.2	8.2	3.5	85.80
95							97.50
100	4.00	94.5	0.54/1.08	10.5	9.0	3.5	109.20



SPLIT COTTER PINS

IS 549/BS 1574/DIN 94 /JIS 1351

SIZES IN MM / INCHES



LENGTH	DIAMETER	DIAMETER						
		1/16"	3/32"	1/8"	5/32"	3/16"	7/32"	1/4"
MM	INCHES	1.6 mm	2.4 mm	3.2 mm	4 mm	4.8 mm	5.5 mm	6.4 mm
12	1/2"	0.60	0.60	0.90	-	-	-	-
20	3/4"	0.60	0.60	0.90	1.50	-	-	-
25	1"	0.60	0.90	0.90	1.80	2.10	-	-
32	1.1/4"	0.60	0.90	1.20	1.80	2.40	-	4.80
35	1.1/2"	0.90	0.90	1.20	2.10	2.70	4.20	5.40
45	1.3/4"	1.20	1.20	1.50	2.40	3.30	4.80	5.40
50	2"	1.20	1.50	1.50	2.70	3.90	5.10	6.00
63	2.1/2"	1.50	2.10	2.10	3.00	4.50	5.40	6.60
75	3"	2.10	2.10	2.70	3.60	5.10	6.30	7.50

Note : Prices for MS cotter pins. Prices for SS cotter pins will be available on request.

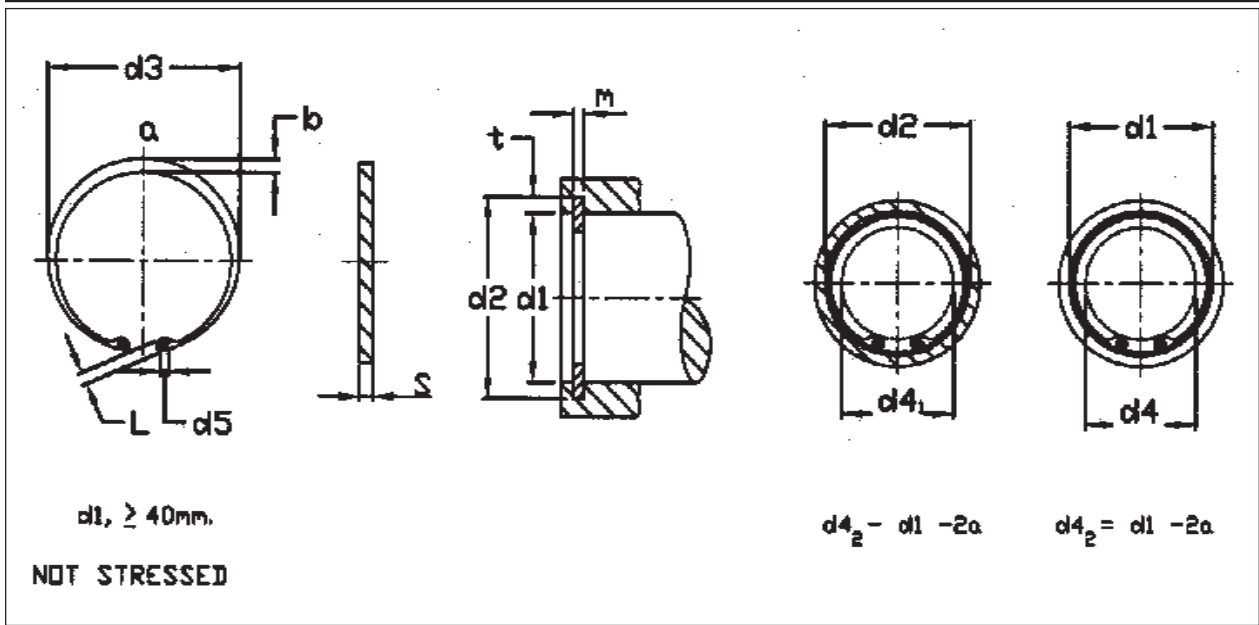
Gurudev Says :

In the company of one who is living Love, you, also, cannot but spring into that love.

Sri Sri Ravishankar



INTERNAL CIRCLIP AS PER DIN 472 - HEAVY DUTY



Nominal Dimension Shaft Dia. d1	RING					Price Per Nos.
	s h11	d3	Tol. +/-	b ~	d5	
20	1.50	21.5	0.42/0.21	2.4	2.0	5.70
22	1.50	23.5	0.42/0.21	2.8	2.0	6.60
24	1.50	25.9	0.42/0.21	3.0	2.0	7.20
25	1.50	26.9	0.42/0.21	3.1	2.0	8.10
26	1.50	27.9	0.42/0.21		2.0	8.70
28	1.50	30.1	0.50/0.25	3.2	2.0	9.00
30	1.50	32.1	0.50/0.25	3.3	2.0	9.60
32	1.50	34.4	0.50/0.25	3.4	2.5	10.50
34	1.75	36.5	0.50/0.25	3.7	2.5	11.70
35	1.75	37.8	0.50/0.25	3.8	2.5	12.60
37	1.75	39.8	0.50/0.25	3.9	2.5	12.90
38	1.75	40.8	0.50/0.25	3.9	2.5	12.90
40	2.00	43.5	0.78/0.39	3.9	2.5	13.50
42	2.00	45.5	0.78/0.39	4.1	2.5	14.10
45	2.00	48.5	0.78/0.39	4.3	2.5	14.70
47	2.00	50.5	0.92/0.46	4.4	2.5	15.60
48						16.20

Nominal Dimension Shaft Dia. d1	RING					Price Per Nos.
	s h11	d3	Tol. +/-	b ~	d5	
50	2.50	54.2	0.92/0.46	4.6	2.5	19.20
52	2.50	56.2	0.92/0.46	4.7	2.5	20.70
55	2.50	59.2	0.92/0.46	5.0	2.5	22.50
58						24.60
60	3.00	64.2	0.92/0.46	5.4	2.5	26.70
62	3.00	66.2	0.92/0.46	5.5	2.5	29.70
65	3.00	69.2	0.92/0.46	5.8	3.0	35.70
68	3.00	72.5	0.92/0.46	6.1	3.0	37.50
70	3.00	74.5	0.92/0.46	6.2	3.0	47.40
72	3.00	76.5	0.92/0.46	6.4	3.0	51.60
75	3.00	79.5	0.92/0.46	6.6	3.0	58.50
80	4.00	85.5	1.08/0.54	7.0	3.0	58.50
85	4.00	90.5	1.08/0.54	7.2	3.5	70.20
90	4.00	95.5	1.08/0.54	7.6	3.5	78.00
95	4.00	100.5	1.08/0.54	8.1	3.5	93.60
100	4.00	105.5	1.08/0.54	8.4	3.5	105.30

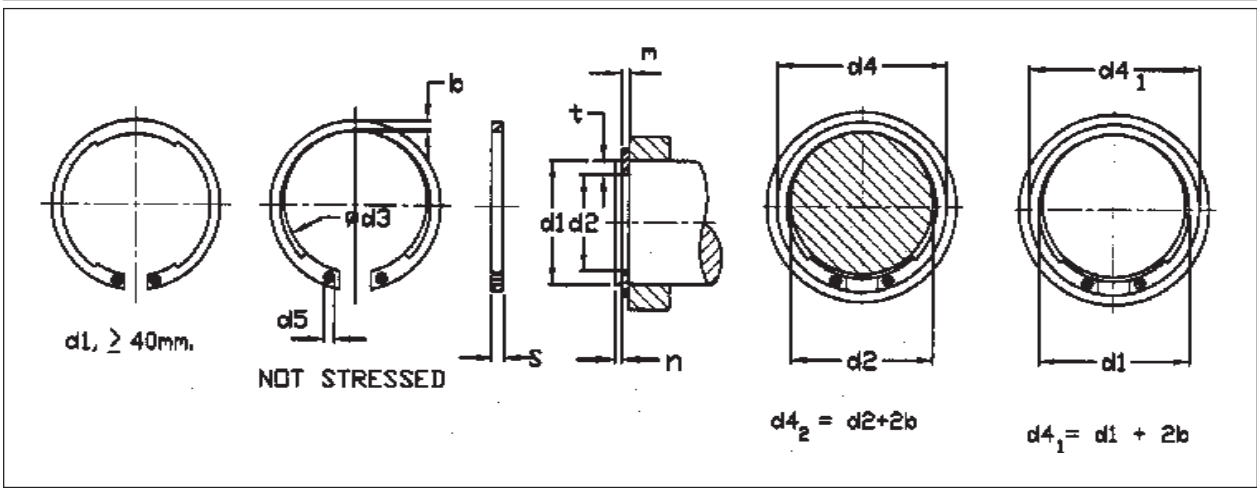
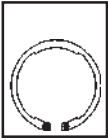


Gurudev Says :

Love cannot be proved or disproved.

Sri Sri Ravishankar

V RINGS FOR SHAFTS AS PER DIN 5108



Nominal Dimension Shaft Dia. d1	RING						Price Per Nos.
	s h11	d3	Tol.+/-	b ~	d5	m min.dim	
12	1.00	11.0	0.100/0.180	2.10	1.30	1.10	13.20
13	1.00	11.9	0.100/0.180	2.10	1.30	1.10	13.80
14	1.00	12.9	0.100/0.180	2.10	1.30	1.10	17.40
15	1.00	13.8	0.100/0.180	2.20	1.30	1.10	19.20
16	1.00	14.7	0.100/0.180	2.30	1.30	1.10	23.10
17	1.00	15.7	0.100/0.180	2.40	1.30	1.10	25.20
18	1.20	16.5	0.100/0.180	2.60	1.50	1.30	26.40
19							27.00
20	1.20	18.5	0.130/0.210	2.80	1.50	1.30	28.50
22	1.20	20.5	0.130/0.210	3.00	1.50	1.30	30.00
23	1.20	21.5	0.130/0.210	3.10	1.50	1.30	30.60
24	1.20	22.2	0.210	3.20	1.50	1.30	31.20
25	1.20	23.2	0.210	3.40	1.50	1.30	31.50
26	1.20	24.2	0.210	3.50	1.50	1.30	34.80
27							36.90
28	1.50	25.9	0.210	3.80	2.00	1.60	42.60
30	1.50	27.9	0.210	3.90	2.00	1.60	44.10
32	1.50	29.6	0.210	4.00	2.00	1.60	46.80
33							49.50
34	1.50	31.5	0.250	3.50	2.00	1.60	50.70
35	1.50	32.2	0.250	4.20	2.00	1.60	51.90
36							52.80
38							54.00
39							54.60

Nominal Dimension Shaft Dia. d1	RING						Price Per Nos.
	s h11	d3	Tol.+/-	b ~	d5	m min.dim	
40	1.75	36.5	0.390	4.50	2.00	1.85	56.10
42	1.75	38.5	0.390	4.70	2.00	1.85	60.60
45	1.75	41.5	0.390	5.00	2.00	1.85	63.30
47	1.75	43.5	0.390	5.20	2.00	1.85	67.20
48	1.75	44.5	0.390	5.30	2.00	1.85	69.30
50	2.00	45.8	0.390	5.40	2.50	2.15	73.50
52							78.90
55	2.00	50.8	0.460	5.60	2.50	2.15	84.00
58	2.00	53.8	0.460	5.80	2.50	2.15	89.40
60	2.00	55.8	0.460	6.00	2.50	2.15	94.50
62							110.40
65	2.50	60.8	0.460	6.20	2.50	2.65	120.90
67							136.50
68							147.00
70	2.50	65.5	0.460	6.50	2.50	2.65	168.00
72	2.50	67.5	0.460	6.60	2.50	2.65	189.00
75	2.50	70.5	0.460	6.80	2.50	2.65	204.90
80	2.50	74.5	0.460	7.00	2.50	2.65	210.00
82	2.50	76.5	0.460	7.10	2.50	2.65	220.50
85	3.00	79.5	0.460	7.30	3.00	3.15	241.50
87	3.00	81.5	0.540	7.40	3.00	3.15	252.00
90	3.00	84.5	0.540	7.50	3.00	3.15	262.50
95	3.00	89.5	0.540	7.80	3.00	3.15	273.00
100	3.00	94.5	0.540	8.00	3.00	3.15	294.00

**U SEALS**

Popular and widely used U-Cup Seals in Nitrile or Polyurethane are available in largest range of sizes suitable for Hydraulic and Pneumatic application.



**WIPER SEALS**

Popular and widely used Wiper Seals in Nitrile or Polyurethane with or without metal casings are available in largest range of sizes suitable for Hydraulic and Pneumatic application against the intrusion of dirt.



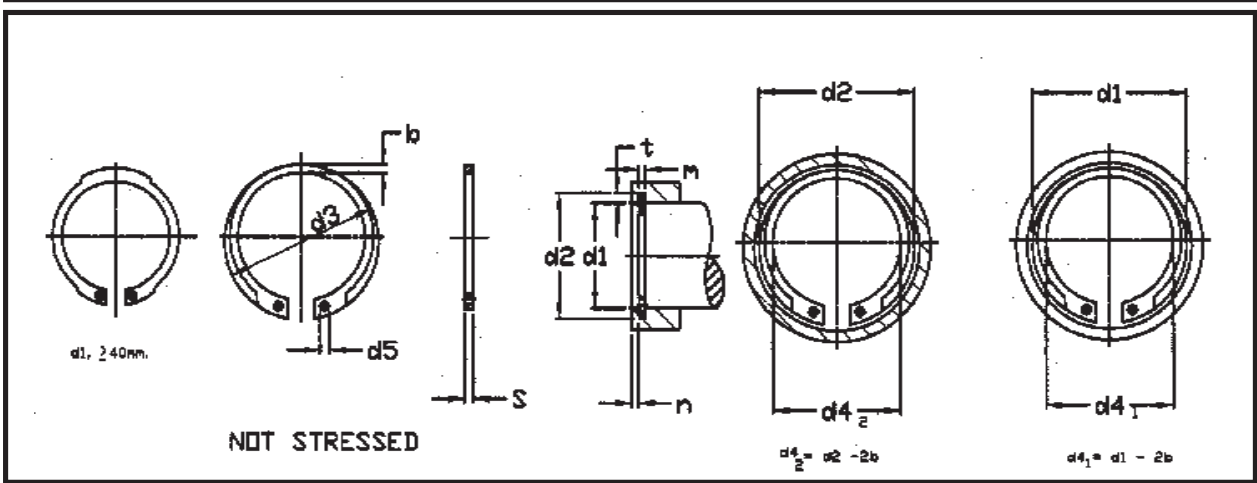
Gurudev Says :

You cannot be in love and be worried at the same time.

Sri Sri Ravishankar



V RINGS FOR HOUSING BORES AS PER DIN 5008



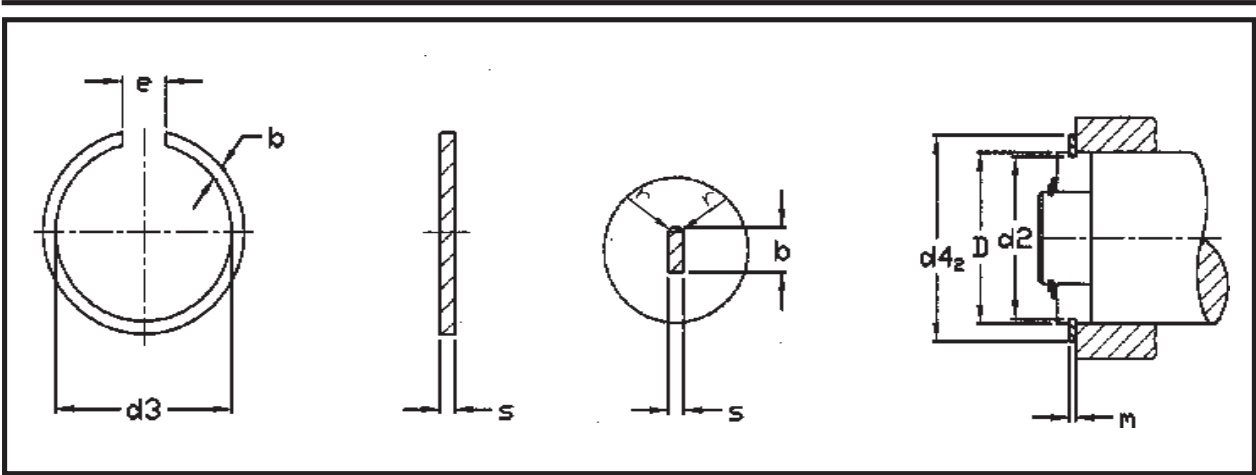
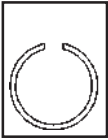
Nominal Dimension Shaft Dia. d1	RING					Groove	Price Per Nos.
	s h11	d3	Tol.+/-	b ~	d5	m min.dim	
12							12.60
13							13.20
14							16.50
15							18.30
16	1.0	17.30	0.180/0.100	2.10	1.30	1.10	21.90
17	1.0	18.30	0.210/0.130	2.10	1.30	1.10	24.00
18	1.0	19.50	0.210/0.130	2.20	1.30	1.10	24.90
19	1.0	20.50	0.210/0.130	2.20	1.30	1.10	25.50
20	1.0	21.50	0.210/0.130	2.30	1.30	1.10	27.00
22	1.0	23.50	0.210/0.130	2.40	1.30	1.10	28.50
23							29.10
24	1.2	25.90	0.210	2.80	1.50	1.30	29.40
25	1.2	26.90	0.210	2.80	1.50	1.30	30.00
26	1.2	27.90	0.210	3.00	1.50	1.30	33.00
27	1.2	29.10	0.210	3.00	1.50	1.30	35.10
28	1.2	30.10	0.250	3.10	1.50	1.30	38.70
30	1.2	32.10	0.250	3.20	1.50	1.30	41.10
32	1.2	34.40	0.250	3.30	1.50	1.30	44.10
33	1.2	35.50	0.250	3.30	1.50	1.30	46.50
34							48.30
35	1.5	37.80	0.250	3.40	1.70	1.60	49.20
36	1.5	38.80	0.250	3.60	1.70	1.60	50.40
38	1.5	40.80	0.250	3.80	1.70	1.60	51.30
39							51.90

Nominal Dimension Shaft Dia. d1	RING					Groove	Price Per Nos.
	s h11	d3	Tol.+/-	b ~	d5	m min.dim	
40	1.8	43.50	0.390	4.00	2.00	1.85	53.40
42	1.8	45.50	0.390	4.20	2.00	1.85	57.60
45	1.8	48.50	0.390	4.40	2.00	1.85	60.30
47	1.8	50.50	0.460	4.60	2.00	1.85	63.90
48	1.8	51.50	0.460	4.80	2.00	1.85	66.00
50	2.0	54.20	0.460	5.00	2.50	2.15	69.90
52	2.0	56.20	0.460	5.00	2.50	2.15	75.00
55	2.0	59.20	0.460	5.20	2.50	2.15	79.80
58	2.0	62.20	0.460	5.30	2.50	2.15	84.90
60	2.0	64.20	0.460	5.40	2.50	2.15	90.00
62	2.0	66.20	0.460	5.40	2.50	2.15	104.70
65	2.5	69.20	0.460	5.50	2.50	2.65	114.90
67	2.5	71.50	0.460	5.70	2.50	2.65	129.90
68	2.5	72.50	0.460	5.80	2.50	2.65	139.80
70							159.60
72	2.5	76.50	0.460	6.00	2.50	2.65	179.70
75							194.70
80	2.5	85.50	0.540	6.20	2.50	2.65	199.50
82							209.70
85	3.0	90.50	0.540	6.50	3.00	3.15	229.50
87							239.40
90	3.0	95.50	0.540	6.80	3.00	3.15	249.60
95	3.0	100.50	0.540	7.20	3.00	3.15	259.50
100	3.0	105.50	0.540	7.50	3.00	3.15	279.30

## OIL SEALS FOR ROTARY APPLICATION



**SNAP RINGS FOR SHAFT AS PER DIN 5417**



Nominal Dimension Bearing outer Dia.D	RING							GROOV				Price Per Nos.
	S	Tol.(-)	b	Tol.(+/-)	d3	Tol.(+/-)	e	d2	Tol.(-)	m	Tol.(+)	
30	1.12	-0.1	3.25	-0.15	27.6	0.2	3	28.17	-0.25	1.35	0.3	39.30
32	1.12	-0.1	3.25	-0.15	29.6	0.2	3	30.15	-0.25	1.35	0.3	40.80
35	1.12	-0.1	3.25	-0.15	32.5	0.2	3	33.17	-0.25	1.35	0.3	44.40
37	1.12	-0.1	3.25	-0.15	34.1	0.2	3	34.77	-0.25	1.35	0.3	48.30
40	1.12	-0.1	3.25	-0.15	37.1	0.2	3	38.10	-0.25	1.35	0.3	52.50
42	1.12	-0.1	3.25	-0.15	39.0	0.3	3	39.75	-0.25	1.35	0.3	55.20
47	1.12	-0.1	4.04	-0.15	43.7	0.3	4	44.60	-0.25	1.35	0.3	60.00
50	1.12	-0.1	4.04	-0.15	46.7	0.3	4	47.60	-0.25	1.35	0.3	66.30
52	1.12	-0.1	4.04	-0.15	48.7	0.3	4	49.73	-0.25	1.35	0.3	66.30
55	1.12	-0.1	4.04	-0.15	51.4	0.4	4	52.60	-0.25	1.35	0.3	68.70
55	1.70	-0.1	4.04	-0.15	51.4	0.4	4	52.60	-0.25	1.9	0.3	72.30
56	1.12	-0.1	4.04	-0.15	52.4	0.4	4	53.60	-0.25	1.35	0.3	72.30
58	1.12	-0.1	4.04	-0.15	54.4	0.4	4	55.60	-0.25	1.35	0.3	72.30
62	1.70	-0.1	4.04	-0.15	58.4	0.4	4	59.61	-0.25	1.9	0.3	72.30
65	1.70	-0.1	4.04	-0.15	61.4	0.4	4	62.60	-0.25	1.9	0.3	79.20
68	1.70	-0.1	4.85	-0.15	63.5	0.4	5	64.82	-0.50	1.9	0.3	79.20
72	1.70	-0.1	4.85	-0.15	67.5	0.4	5	68.81	-0.50	1.9	0.3	84.00
75	1.70	-0.1	4.85	-0.15	70.5	0.4	5	71.83	-0.50	1.9	0.3	92.70
80	1.70	-0.1	4.85	-0.15	75.5	0.4	5	76.81	-0.50	1.9	0.3	98.10
85	1.70	-0.1	4.85	-0.15	80.3	0.5	5	81.81	-0.50	1.9	0.3	97.80
90	2.46	-0.1	4.85	-0.15	85.3	0.5	5	86.79	-0.50	2.7	0.3	112.80
95	2.46	-0.1	4.85	-0.15	90.3	0.5	5	91.82	-0.50	2.7	0.3	129.60
100	2.46	-0.1	4.85	-0.15	95.3	0.5	5	96.80	-0.50	2.7	0.3	129.60
110	2.46	-0.1	4.85	-0.15	105.3	0.5	5	106.81	-0.50	2.7	0.3	137.10
115	2.46	-0.1	4.85	-0.15	108.6	0.5	5	111.81	-0.50	2.7	0.3	141.60
120	2.82	-0.1	7.21	-0.15	113.6	0.5	7	115.21	-0.50	3.1	0.3	145.20
125	2.82	-0.1	7.21	-0.15	118.6	0.5	7	120.22	-0.50	3.1	0.3	148.80
130	2.82	-0.1	7.21	-0.15	123.5	0.6	7	125.22	-0.50	3.1	0.3	171.60
140	2.82	-0.1	7.21	-0.15	133.5	0.6	7	135.23	-0.50	3.1	0.3	238.80
145	2.82	-0.1	7.21	-0.15	138.5	0.6	7	140.23	-0.50	3.1	0.3	318.00
150	2.82	-0.1	7.21	-0.15	143.5	0.6	7	145.24	-0.50	3.1	0.3	325.50
160	2.82	-0.1	7.21	-0.15	153.5	0.6	7	155.22	-0.50	3.1	0.3	408.00
170	3.10	-0.1	9.60	-0.15	161.8	0.6	10	163.65	-0.50	3.5	0.3	468.00
180	3.10	-0.1	9.60	-0.15	171.8	0.6	10	173.66	-0.50	3.5	0.3	542.10
190	3.10	-0.1	9.60	-0.15	181.6	0.7	10	183.64	-0.50	3.5	0.3	596.40
200	3.10	-0.1	9.60	-0.15	191.6	0.7	10	193.65	-0.50	3.5	0.3	864.00

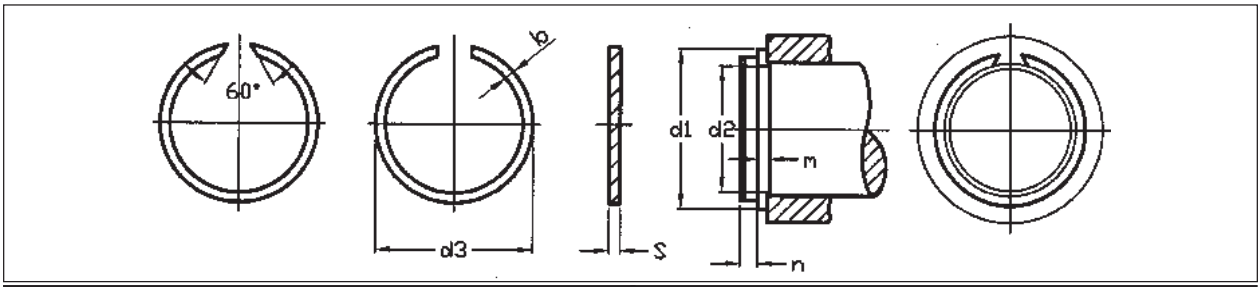
**Note : Material: Spring Steel HV 450 to 520 kg/mm2 or HRc 45 to 50**

**Gurudev Says :**

**Attachment:**

Desire and ambition, suppressed, fermented, become anger.  
 Like milk becomes yogurt, desire ferments and becomes anger.  
 Anger fermented becomes passion, attachment - "moha".  
 Moha means you are attached to somebody, in spite of all your misery.

SNAP RING FOR HOUSING BORES AS PER DIN 5417



Nominal Dimension Housing Dia. d1	RING			GROOVE		Price Per No
	d3 (min)	b(-0.1)	s(-0.1)	d2	Tol.(+)	
11	11.6	1.30	1.00	11.4	0.11	14.70
12	12.7	1.30	1.00	12.4	0.11	15.90
13	13.8	1.30	1.00	13.5	0.11	16.80
14	14.8	1.30	1.00	14.5	0.11	17.40
15	15.8	1.30	1.00	15.5	0.11	18.00
16	16.8	1.60	1.20	16.5	0.11	18.60
17	17.8	1.70	1.20	17.5	0.11	19.50
18	18.9	1.75	1.20	18.5	0.13	21.00
19	19.9	1.75	1.20	19.6	0.13	21.60
20	21.0	1.75	1.20	20.6	0.13	22.20
21	22.0	1.75	1.20	21.6	0.13	22.80
22	23.0	1.75	1.20	22.6	0.13	23.70
23	24.0	1.75	1.20	23.6	0.13	24.30
24	25.2	1.75	1.20	24.8	0.13	24.90
25	26.2	1.75	1.20	25.8	0.13	25.80
26	27.2	1.75	1.20	26.8	0.13	26.40
27	28.2	1.75	1.20	27.8	0.13	27.00
28	29.2	1.75	1.20	28.8	0.13	27.60
29	30.2	1.75	1.20	29.8	0.13	29.10
30	31.4	2.30	1.50	31.0	0.16	39.60
31	32.4	2.30	1.50	32.0	0.16	41.10
32	33.4	2.30	1.50	33.0	0.16	41.10
33	34.4	2.30	1.50	34.0	0.16	48.00
34	35.4	2.30	1.50	35.0	0.16	48.00
35	36.4	2.30	1.50	36.0	0.16	48.00
36						48.00
37	38.8	2.30	1.50	38.2	0.16	51.00
38	39.8	2.30	1.50	39.2	0.16	51.00
39	40.8	2.30	1.50	40.2	0.16	52.80
40	41.8	2.30	1.50	41.2	0.16	52.80
42	43.8	2.30	1.50	43.2	0.16	55.20
43	44.8	2.30	1.50	44.2	0.16	58.20
44	45.8	2.30	1.50	45.2	0.16	58.20
45	46.8	2.30	1.50	46.2	0.16	58.20
46	47.8	2.30	1.50	47.2	0.16	60.30
47	48.8	2.30	1.50	48.2	0.16	60.30
48	49.8	2.30	1.50	49.2	0.16	60.30
50	51.8	2.30	1.50	51.2	0.19	62.70
52	54.3	2.30	1.50	53.5	0.19	66.30
53	55.3	2.30	1.50	54.5	0.19	69.00
55	57.3	2.30	1.50	56.5	0.19	69.00
57	59.3	2.30	1.50	58.5	0.19	70.80
58	60.3	2.30	1.50	59.5	0.19	70.80
60	62.3	2.30	1.50	61.5	0.19	70.80
62	64.3	2.30	1.50	63.5	0.19	72.60
63	65.3	2.30	1.50	64.5	0.19	76.80
65	67.3	2.30	1.50	66.5	0.19	76.80
68	70.3	2.30	1.50	69.5	0.19	79.50
70	72.3	2.30	1.50	71.5	0.19	79.50
72	74.6	2.80	2.00	73.8	0.19	84.30
73	75.6	2.80	2.00	74.8	0.19	91.20
74	76.6	2.80	2.00	75.8	0.19	91.20
75						93.90

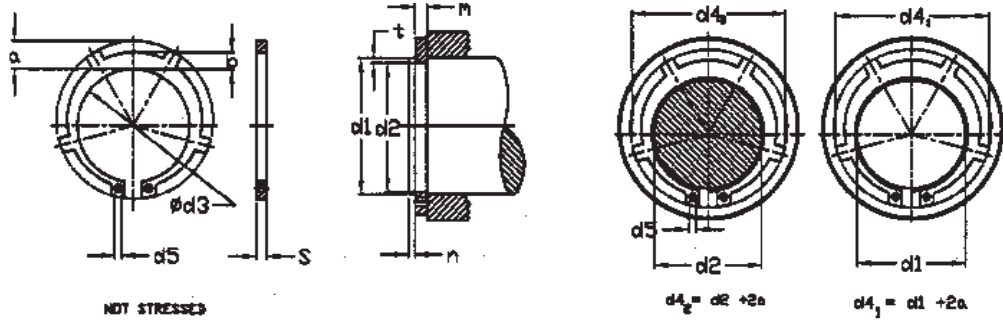
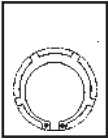
Nominal Dimension Housing Dia. d1	RING			GROOVE		Price Per No
	d3 (min)	b(-0.1)	s(-0.1)	d2	Tol.(+)	
76	78.6	2.80	2.00	77.8	0.19	98.10
78	80.6	2.80	2.00	79.8	0.19	98.10
79	81.6	2.80	2.00	80.8	0.19	99.60
80	82.6	2.80	2.00	81.8	0.22	99.60
81	83.6	2.80	2.00	82.8	0.22	103.80
82	84.6	2.80	2.00	83.8	0.22	103.80
83	85.6	2.80	2.00	84.8	0.22	105.60
85	87.6	2.80	2.00	86.8	0.22	105.60
86	88.6	2.80	2.00	87.8	0.22	108.30
88	91.0	3.40	2.50	90.0	0.22	108.30
90	93.0	3.40	2.50	92.0	0.22	113.40
92	95.0	3.40	2.50	94.0	0.22	116.10
93	96.0	3.40	2.50	95.0	0.22	120.00
95	98.0	3.40	2.50	97.0	0.22	120.00
97	100.0	3.40	2.50	99.0	0.22	123.00
98	101.0	3.40	2.50	100.0	0.22	123.00
100	103.0	3.40	2.50	102.0	0.22	130.50
102	105.3	3.40	2.50	104.3	0.22	133.20
103	106.3	3.40	2.50	105.3	0.22	133.20
105	108.3	3.40	2.50	107.3	0.22	133.20
107	110.3	3.40	2.50	109.3	0.22	136.20
108	111.3	3.40	2.50	110.3	0.22	136.20
110	113.3	3.40	2.50	112.3	0.22	139.50
112	115.3	3.40	2.50	114.3	0.22	142.20
113	116.3	3.40	2.50	115.3	0.22	143.50
115	118.3	3.40	2.50	117.3	0.22	143.50
117	120.3	3.40	2.50	119.3	0.22	145.20
118	121.3	3.40	2.50	120.3	0.25	145.20
120	123.3	3.40	2.50	122.3	0.25	147.90
123	126.3	3.40	2.50	125.3	0.25	151.80
125	128.3	3.40	2.50	127.3	0.25	151.80
127	130.3	3.40	2.50	129.3	0.25	162.30
130	133.3	3.40	2.50	132.3	0.25	174.00
133	136.3	3.40	2.50	135.3	0.25	188.40
135	138.3	3.40	2.50	137.3	0.25	203.10
137	140.3	3.40	2.50	139.3	0.25	246.60
140	143.6	4.00	2.50	142.6	0.25	246.60
143	146.6	4.00	2.50	145.6	0.25	275.40
145						332.70
150	153.6	4.00	2.50	152.6	0.25	348.00
153	156.6	4.00	2.50	155.6	0.25	391.20
160	163.6	4.00	2.50	162.6	0.25	420.30
163	166.6	4.00	2.50	165.6	0.25	449.40
165	168.6	4.00	2.50	167.6	0.25	478.20
170	173.6	4.00	2.50	172.6	0.25	507.30
173	176.6	4.00	2.50	175.6	0.25	521.70
175	178.6	4.00	2.50	177.6	0.25	552.00
180	183.6	4.00	2.50	182.6	0.29	579.60
183	186.6	4.00	2.50	185.6	0.29	621.00
190	194.5	5.00	3.00	193.0	0.29	621.00
195	199.5	5.00	3.00	198.0	0.29	828.00
200	204.5	5.00	3.00	203.0	0.29	912.00

Gurudev Says :

Love is seeing God in the person next to us  
and meditation is seeing God within us.

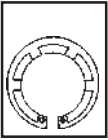
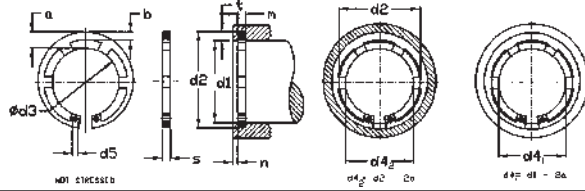
Sri Sri Ravishankar

K RINGS FOR SHAFTS AS PER DIN 983



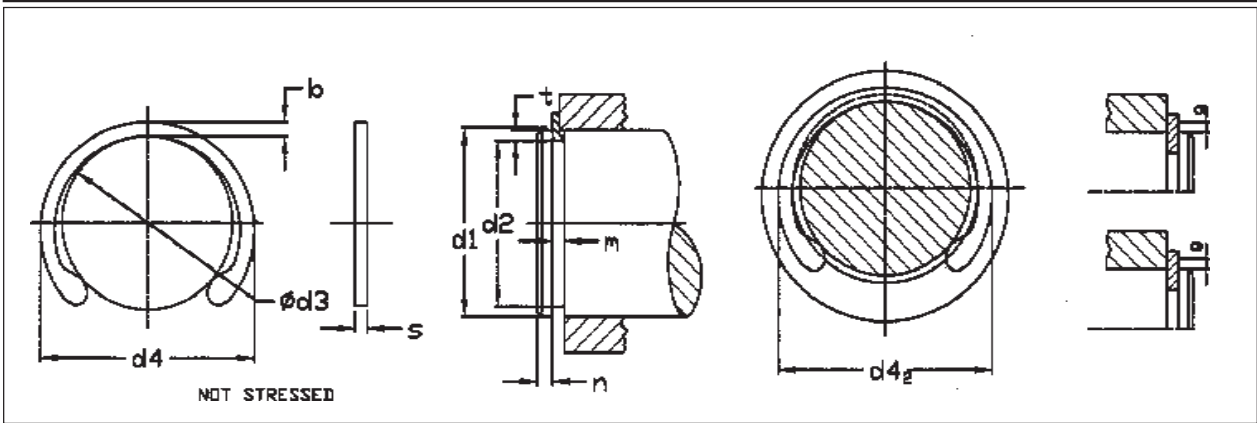
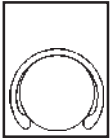
Nominal Dia. Shaft Dia. d1	RING						GROOVE			Price Per Nos.
	s h 11	d3	Tol. (+/-)	a ~	b ~	d5	d2	Tol.	m min dim	
16										30.00
17	1.00	15.70	0.100/0.180	3.55	2.20	1.70	16.20	-0.110	1.10	31.50
18	1.20	16.50	0.100/0.180	3.65	2.70	1.70	17.00	-0.110	1.30	33.00
19	1.20	17.50	0.100/0.180	3.65	2.70	2.00	18.00	-0.110	1.30	35.70
20	1.20	18.50	0.130/0.210	3.75	2.70	2.00	19.00	-0.150	1.30	38.10
21										40.20
22	1.20	20.50	0.130/0.210	3.95	2.70	2.00	21.00	-0.150	1.30	40.20
23	1.20	21.50	0.130/0.210	4.00	2.70	2.00	22.00	-0.150	1.30	41.70
24	1.20	22.20	0.210	4.10	2.70	2.00	22.90	-0.210	1.30	43.20
25	1.20	23.20	0.210	4.20	3.10	2.00	23.90	-0.210	1.30	44.10
26	1.20	24.20	0.210	4.30	3.10	2.00	24.90	-0.210	1.30	46.20
27										48.00
28	1.50	25.90	0.210	4.45	3.10	2.00	26.60	-0.210	1.60	51.60
29	1.50	26.90	0.210	4.60	3.70	2.00	27.60	-0.210	1.60	60.00
30	1.50	27.90	0.210	4.65	3.70	2.00	28.60	-0.210	1.60	60.00
32	1.50	29.60	0.210	4.90	3.70	2.50	30.30	-0.250	1.60	63.00
33										74.70
34	1.50	31.50	0.210	5.00	3.70	2.50	32.30	-0.250	1.60	80.10
35	1.50	32.20	0.250	5.10	3.70	2.50	33.00	-0.250	1.60	83.10
36										85.20
37										86.10
38	1.75	35.20	0.250	5.40	4.70	2.50	36.00	-0.250	1.85	87.00
39										88.20
40	1.75	36.50	0.390	7.00	4.70	2.50	37.50	-0.250	1.85	89.10
42	1.75	38.50	0.390	7.00	4.70	2.50	39.50	-0.250	1.85	90.00
44										92.10
45	1.75	41.50	0.390	7.00	4.70	2.50	42.50	-0.250	1.85	94.50
47	1.75	43.50	0.390	7.00	4.70	2.50	44.50	-0.250	1.85	97.50
48	1.75	44.50	0.390	7.00	4.70	2.50	45.50	-0.250	1.85	100.20
50	2.00	45.80	0.390	8.00	5.00	2.50	47.00	-0.250	2.15	103.50
52										109.20
55	2.00	50.80	0.460	8.00	5.50	2.50	52.00	-0.300	2.15	110.10
57	2.00	52.80	0.460	8.00	5.50	2.50	54.00	-0.300	2.15	117.60
58	2.00	53.80	0.460	8.00	5.50	2.50	55.00	-0.300	2.15	117.60
60	2.00	55.80	0.460	8.00	5.50	2.50	57.00	-0.300	2.15	118.50
62	2.00	57.80	0.460	8.00	5.50	2.50	59.00	-0.300	2.15	126.60
65	2.50	60.80	0.460	10.00	6.40	3.00	62.00	-0.300	2.65	132.00
67	2.50	62.50	0.460	10.00	6.40	3.00	64.00	-0.300	2.65	138.00
68	2.50	63.50	0.460	120.00	6.40	3.00	65.00	-0.300	2.65	143.70
70	2.50	65.50	0.460	10.00	6.40	3.00	67.00	-0.300	2.65	160.20
72										162.60
75	2.50	70.50	0.460	10.00	7.20	3.00	72.00	-0.300	2.65	165.00
80	2.50	74.50	0.460	10.00	7.20	3.00	76.50	-0.300	2.65	172.50
82										185.10
85	3.00	79.50	0.460	10.00	8.00	3.50	81.50	-0.540	3.15	215.10
87										225.00
90	3.00	84.50	0.540	10.00	8.00	3.50	86.50	-0.540	3.15	P. O. R.
95	3.00	89.50	0.540	10.00	8.80	3.50	91.50	-0.540	3.15	P. O. R.
100	3.00	94.50	0.540	10.00	8.80	3.50	96.50	-0.540	3.15	P. O. R.

K RINGS FOR HOUSING BORES AS PER DIN 984



Nominal Dia. Shaft Dia. d1	RING						GROOVE			Price Per Nos.
	s h 11	d3	Tol. (+/-)	a ~	b ~	d5	d2	Tol.	m min dim	
16	1.00	17.30	0.180/0.100	3.30	2.00	1.70	16.80	0.110	1.10	22.50
17	1.00	18.30	0.180/0.100	3.60	2.50	1.70	17.80	0.110	1.10	24.00
18	1.00	19.50	0.210/0.130	4.10	2.50	1.70	19.00	0.150	1.10	25.20
19	1.00	20.50	0.210/0.130	3.70	2.50	2.00	20.00	0.150	1.10	27.00
20	1.00	21.50	0.210/0.130	3.80	2.50	2.00	21.00	0.150	1.10	30.00
21	1.00	22.50	0.210/0.130	3.90	2.50	2.00	22.00	0.150	1.10	34.50
22	1.00	23.50	0.210/0.130	3.90	2.50	2.00	23.00	0.150	1.10	34.50
23	1.20	24.60	0.210/0.130	4.00	2.50	2.00	24.10	0.150	1.30	35.70
24	1.20	25.90	0.210	4.15	2.50	2.00	25.20	0.210	1.30	37.20
25	1.20	26.90	0.210	4.30	3.00	2.00	26.20	0.210	1.30	37.50
26	1.20	28.50	0.210	4.30	3.00	2.00	27.20	0.210	1.30	39.00
27	1.20	29.10	0.210	4.40	3.00	2.00	28.40	0.210	1.30	41.10
28	1.20	30.10	0.250	4.80	3.00	2.00	29.40	0.210	1.30	44.10
29										48.00
30	1.20	32.10	0.250	4.80	3.00	2.00	31.40	0.250	1.30	48.00
32	1.20	34.40	0.250	5.00	3.50	2.50	33.70	0.250	1.30	49.20
33	1.20	35.50	0.250	4.90	3.50	2.50	34.70	0.250	1.30	55.20
34	1.50	36.50	0.250	5.20	3.50	2.50	35.70	0.250	1.60	58.50
35	1.50	37.80	0.250	5.40	3.50	2.50	37.00	0.250	1.60	62.10
36	1.50	38.80	0.250	5.50	3.50	2.50	38.00	0.250	1.60	62.10
37										62.70
38	1.50	40.80	0.250	6.00	4.00	2.50	40.00	0.250	1.60	62.70
39										62.70
40	1.75	43.50	0.390	7.00	4.00	2.50	42.50	0.250	1.85	63.00
42	1.75	45.50	0.390	7.00	4.00	2.50	44.50	0.250	1.85	63.60
44	1.75	47.50	0.390	7.00	4.00	2.50	46.50	0.250	1.85	66.00
45	1.75	48.40	0.390	7.00	4.50	2.50	47.50	0.250	1.85	69.00
47	1.75	50.50	0.460	7.00	4.50	2.50	49.50	0.250	1.85	71.70
48	1.75	51.50	0.460	7.00	4.50	2.50	50.50	0.300	1.85	76.20
50	2.00	54.20	0.460	8.00	4.70	2.50	53.00	0.300	2.15	82.20
52	2.00	56.20	0.460	8.00	4.70	2.50	55.00	0.300	2.15	85.20
55	2.00	59.20	0.460	8.00	5.10	2.50	58.00	0.300	2.15	88.50
57	2.00	61.20	0.460	8.00	5.10	2.50	60.00	0.300	2.15	94.50
58	2.00	62.20	0.460	8.00	5.10	2.50	61.00	0.300	2.15	94.50
60	2.00	64.20	0.460	8.00	5.50	2.50	63.00	0.300	2.15	97.50
62	2.00	66.20	0.460	8.00	5.50	2.50	65.00	0.300	2.15	101.10
65	2.50	69.20	0.460	9.30	6.00	3.00	68.00	0.300	2.65	113.70
67	2.50	71.50	0.460	10.00	6.00	3.00	70.00	0.300	2.65	120.00
68	2.50	72.50	0.460	10.00	6.00	3.00	71.00	0.300	2.65	126.60
70	2.50	74.50	0.460	10.00	6.00	3.00	73.00	0.300	2.65	132.00
72	2.50	76.50	0.460	10.00	6.80	3.00	75.00	0.300	2.65	138.00
75	2.50	79.50	0.440	10.00	6.80	3.00	78.00	0.300	2.65	145.20
80	2.50	85.50	0.540	10.00	6.80	3.00	83.50	0.350	2.65	151.20
82										165.00
85	3.00	90.50	0.540	12.00	7.60	3.50	88.50	0.350	3.15	189.00
87										195.00
90	3.00	95.50	0.540	12.00	7.60	3.50	93.50	0.350	3.15	215.10
95	3.00	100.50	0.540	12.00	8.20	3.50	98.50	0.350	3.15	240.00
100	3.00	105.50	0.540	12.00	8.20	3.50	103.50	0.350	3.15	264.60
110	4.00	117.00	0.540	12.00	9.50	3.50	114.00	0.540	4.15	380.10
115	4.00	122.00	0.630	12.00	9.50	3.50	119.00	0.540	4.15	442.50
120	4.00	127.00	0.630	12.00	9.50	3.50	124.00	0.630	4.15	500.10
125	4.00	132.00	0.630	12.00	9.50	4.00	129.00	0.630	4.15	575.10
130	4.00	137.00	0.630	12.00	9.50	4.00	134.00	0.640	4.15	632.70

**CRESENT RINGS FOR SHAFT AS PER DIN 5103**



**SIZES IN MM**

Nominal Dimension Shaft Dia. d1	s h 11	d3	b ~	d2	m (min)	Price Per Nos.
5.0	0.60	3.80	1.20	4.0	0.64	5.10
6.0	0.70	4.80	1.30	5.0	0.74	5.70
6.5	0.70	5.60	1.30	5.8	0.74	6.30
7.0	0.80	5.80	1.40	6.0	0.85	7.80
8.0	0.80	6.80	1.60	7.0	0.85	8.40
9.0	1.00	7.80	1.70	8.0	1.10	9.30
10.0	1.00	8.75	1.70	9.0	1.10	10.50
11.0	1.00	9.65	1.80	10.0	1.10	11.10
12.0	1.00	10.55	1.90	10.9	1.10	11.70
13.0	1.00	11.40	2.00	11.8	1.10	12.90
14.0	1.00	12.30	2.00	12.7	1.10	13.50
15.0	1.00	13.20	2.10	13.6	1.10	14.10
16.0	1.00	14.10	2.20	14.5	1.10	15.00

Nominal Dimension Shaft Dia. d1	s h 11	d3	b ~	d2	m (min)	Price Per Nos.
17.0	1.00	14.90	2.25	15.4	1.10	16.20
18.0	1.20	15.80	2.30	16.3	1.30	18.00
19.0	1.20	16.70	2.40	17.2	1.30	20.40
20.0	1.20	17.55	2.55	18.1	1.30	21.60
22.0	1.20	19.35	2.80	19.9	1.30	22.20
23.0	1.20	20.20	2.90	20.8	1.30	25.20
24.0	1.20	21.10	3.00	21.7	1.30	26.40
25.0	1.20	22.00	3.15	22.6	1.30	27.90
26.0	1.20	22.90	3.25	23.5	1.30	30.60
28.0	1.50	24.60	3.50	25.2	1.60	34.80
30.0	1.50	26.30	3.70	27.0	1.60	38.10
32.0	1.50	28.10	4.00	28.8	1.60	40.80
35.0	1.50	30.80	4.30	31.5	1.60	42.30

**BEARING PRE- LOADING WASHER / WAVE WASHER**

WAVE SPRING WASHERS ARE USED IN THRUST LOADING APPLICATIONS FOR SMALL DEFLECTIONS.

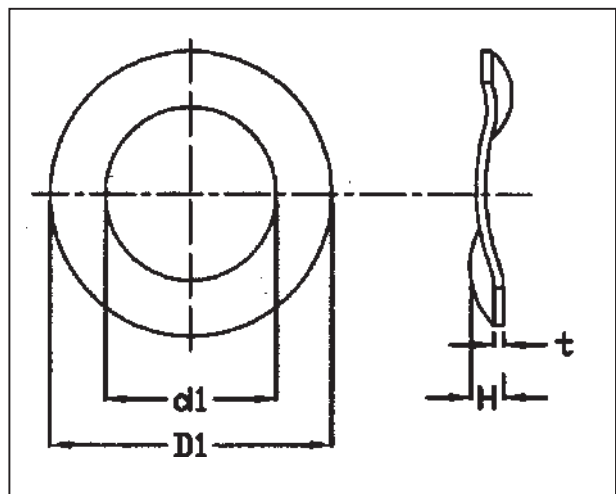
**MATERIAL :** HIGH CARBON FINELY TEMPERED SPRING STEEL.

**HARDNESS :** 40 TO 50HRC

**FINISHED :** BLUE NATURAL

**SIZES IN MM**

D1	d1	T	H	BEARING NOS.			AUBAR DIA.	PRICE PER NOS.
25.5	21	0.3			6000		26	18.00
31.5	25.5	0.3	3		6002	6201	32	22.50
34	28	0.4	3.2	6300	6003	6202	35	27.00
35.1	30.1	0.4		6301			37	28.50
39.5	34	0.4	3.5			6203	40	30.00
41	35	0.4	3.5	6302	6004		42	36.00
46.5	39.5	0.4		6303	6005	6204	47	42.00
51	41	0.5	4	6304		6205	52	45.00
53.4	44.4	0.5			6006		55	51.00
61	51	0.5	4	6305	6007	6206	62	55.50
71	61	0.5	4.5	6306		6207	72	60.00
79	71	0.6	4.5	6307	6010	6208	80	72.00
84.1	73.7	0.6				6209	85	82.50
89	79	0.6	5	6308	6011	6210	90	90.00
99	89	0.6	5	6309	6013	6211	100	105.00
109	99	0.8	6					P.O.R.



**Note :** P.O.R. means prices available on request.

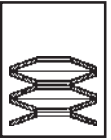
**Gurudev Says :**

It is a gift to you, it is a happening, a spontaneous phenomenon.

Sri Sri Ravishankar



**DISC SPRINGS**



DISC SPRINGS ARE CONICALLY FORMED ANGULAR DISCS WHICH ARE LOADED IN THE AXIAL DIRECTION AND CAN BE STATISTICALLY LOADED AS WELL SUBJECT TO CONTINUOUS DYNAMIC LOADS.

DISC SPRINGS CAN BE USED AS A SINGLE DISC OR IN MULTIPLE STACK COMBINATION TO ACHIEVE DESIRED DEFLECTION AND CHARACTERISTICS.

**OUTSTANDING FEATURES**

- 1] HIGH LOAD TO COMPRESS SMALL DESIGN SPACE SO BETTER SPACE UTILIZATION COMPARE TO OTHER SPRINGS. LONGER SERVICE OR FATIGUE LIFE.
- 2] ABILITY TO FUNCTION AS A INDIVIDUAL ELEMENT OR MORE OFTEN IN GROUP, IN DIFFERENT GROUP COMBINATION, SO THAT STACK OR ASSEMBLY OF THESE DISC SPRINGS OPERATE AXIALLY.
- 3] GREATER SECURITY OF OPERATION SERVICE, AS FAILURE OF ONE DISC SPRING ELEMENT WITHIN A STACK DOES NOT TOTALLY LEAD OF FAILURE OF ENTIRE ASSEMBLY.
- 4] LOW MAINTENANCE COST AS ANY OF THE FAILED DISC SPRING IN ASSEMBLY COULD BE EASILY REPLACED.
- 5] SPRING LOAD ACHIEVED BY RECIPROCALLY ALTERNATING DISC.
- 6] AXIAL LOAD ACHIEVED BY APPLICATION OF GUIDE BOLT OR SLEEVE.
- 7] HIGH DAMPING CAPACITY THROUGH FRICTION, WHICH CAN BE INCREASED BY PARALLEL STACKING.
- 8] HIGH ENDURANCE AND FATIGUE STRENGTH.
- 9] LOAD, STACK HEIGHT AND TRAVEL CAN BE DETERMINED AND CHANGED AS NEEDED.
- 10] EXACT DETERMINATION OF DISC SPRING CHARACTERISTICS.

**REDUCED THICKNESS FOR DISC SPRINGS WITH BEARING FLATS :**

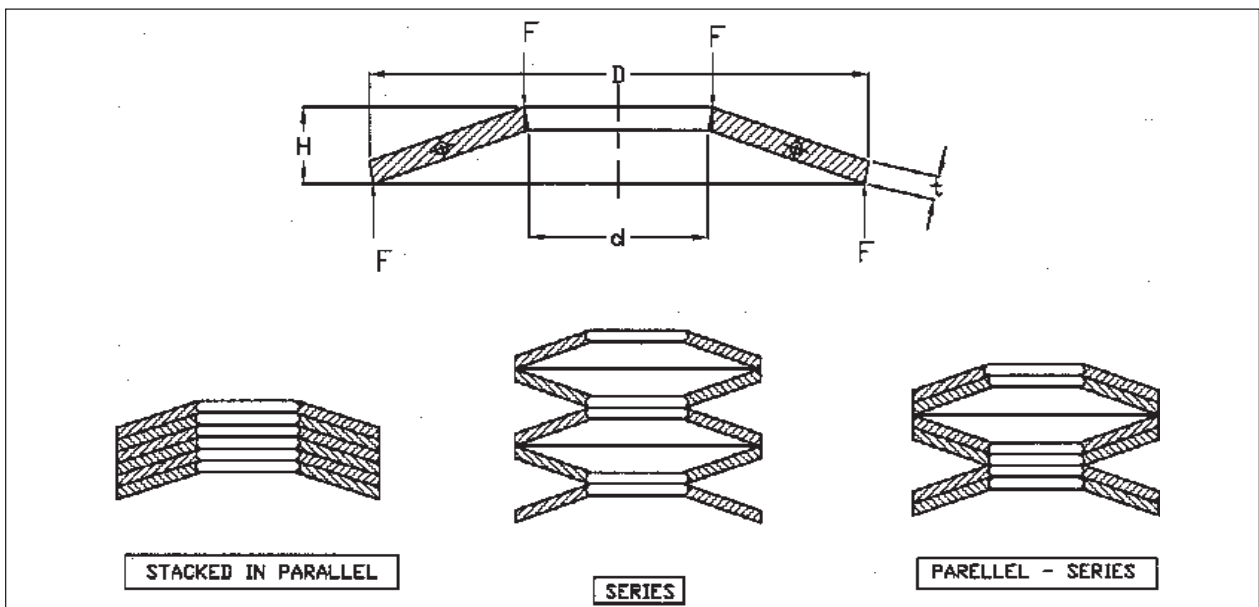
IN ORDER TO ACHIEVE A LOAD  $p$  AT  $f = 0.75$  HEIGHT WITH DISC SPRING HAVING BEARING FLATS THE THICKNESS  $t$  IS REDUCED TO  $t'$  BY THE MANUFACTURER. THE REDUCTION IS APPROXIMATELY 94% OF THE NOMINAL THICKNESS.

THE TABLE SHOWN BELOW IS PARTICULARLY SIGNIFICANT FOR PARALLEL STACKING OF DISC SPRING WITH REDUCED THICKNESS  $t'$  AND MUST BE TAKEN INTO CONSIDERATION.

t mm	6	8	10
t' mm	5.6	7.5	9.4

ACCORDING TO DIN 2093 DISC SPRINGS WITH MATERIAL THICKNESS OF 6 TO 14 mm MAY BE REDUCED AS SHOWN IN ABOVE TABLE

**AS PER DIN 2093 STANDARD**



DISC SPRINGS



SIZES IN MM

O.D.	I.D.	THICKNESS	H	TYPE	PRICE PER NO.
8	4.2	0.4	0.6	A	2.10
8	4.2	0.3	0.55	B	2.10
8	4.2	0.2	0.45	C	2.10
10	5.2	0.5	1	A	2.10
10	5.2	0.4	0.7	B	2.10
10	5.2	0.3	0.55	C	2.10
12.5	6.2	0.7	1	A	3.00
12.5	6.2	0.5	0.85	B	2.70
12.5	6.2	0.35	0.8	B	2.40
14	6.4	1.5			5.70
14	7.2	0.8	1.1	A	3.00
14	7.2	0.5	0.9	B	2.40
14	7.2	0.35	0.8	C	2.40
16	8.2	0.9	1.25	A	3.30
16	8.2	0.6	1.05	B	2.40
16	8.2	0.4	0.9	C	2.40
18	8.4	2			9.00
18	9.2	1	1.4	A	3.60
18	9.2	0.7	1.2	B	3.00
18	9.2	0.45	1.05	C	2.40
20	10.2	1	1.55		4.50
20	10.2	0.8			3.90
20	10.2	0.5			3.60
20	10.2	1.1	1.55	A	P.O.R.
20	10.2	1.5			5.10
20	10.2	0.8	1.35	B	P.O.R.
20	10.2	0.5	1.15	C	P.O.R.
22.5	11.2	1.25	1.75	A	6.90
22.5	11.2	0.8	1.45	B	4.20
22.5	11.2	0.6	1.4	C	3.90
23	10.2	1.25	1.9		P.O.R.
23	10.5	2.5			15.00
23	12.2	1.25	1.85		7.20
23	12.2	1.5	2		P.O.R.
25	12.2	1	1.8		7.50
25	12.2	1.25	1.95		8.70
25	12.2	1.5	2.05	A	9.00
25	12.2	0.9	1.6	B	6.30
25	12.2	0.7	1.6	C	5.70
28	10.2	1	1.9		P.O.R.
28	10.2	1.25	2.05		P.O.R.
28	12.2	1.25	2.1		P.O.R.
28	14.2	1	1.8	B	7.50
28	14.2	1.25	2.1		8.40
28	14.2	1.5	2.15	A	9.60
28	14.2	0.8	1.8	C	7.50
29	13	3			18.90
31.5	16.3	1.25	2.15	B	11.40
31.5	16.3	1.5	2.4		13.20
31.5	16.3	1.75	2.45	A	16.50
31.5	16.3	2	2.75		15.00
31.5	16.3	0.8	1.85	C	11.10
34	16.3	1.5	2.55		P.O.R.

O.D.	I.D.	THICKNESS	H	TYPE	PRICE PER NO.
34	16.3	2	2.85		16.20
35.5	18.3	1.25	2.25	B	14.70
35.5	18.3	2	2.8	A	17.10
35.5	18.3	0.9	2.05	C	11.40
36.6	20.4	0.5			14.40
39.6	25.5	0.5			15.00
40	14.2	1.5	2.75		P.O.R.
40	20.4	1	2.3	C	20.70
40	20.4	1.5	2.65	B	22.50
40	20.4	2	3.1		24.60
40	20.4	2.25	3.15	A	29.10
40	20.4	2.5	3.45		30.00
45	22.4	1.25	2.85	C	32.10
45	22.4	1.75	3.05	B	39.60
45	22.4	2.5	3.5	A	45.00
46.5	30.5	0.6			28.20
46.6	30.4	0.5			22.50
50	18.3	1.5	3.3		33.90
50	18.3	3	4.4		P.O.R.
50	20.4	2.5	3.85		52.50
50	22.4	2.5	3.9		P.O.R.
50	25.4	1.25	2.85	C	45.00
50	25.4	2	3.4	B	35.70
50	25.4	2.5	3.9		52.50
50	25.4	3	4.1	A	66.00
56	28.5	1.5	3.45	C	P.O.R.
56	28.5	2	3.6	B	P.O.R.
56	28.5	3	4.3	A	P.O.R.
60	20.4	3	4.7		P.O.R.
60	25.4	2.5	4.4		P.O.R.
60	25.4	3	4.65		P.O.R.
60	30.5	2.5	4.3		82.50
60	30.5	3	4.7		P.O.R.
60	30.5	3.5	5		105.00
63	31	1.8	4.15	C	63.60
63	31	2.5	4.25	B	69.60
63	31	3	4.8		82.50
63	31	3.5	4.9	A	90.90
67.5	50.5	0.7			75.00
70	30.5	3	5.1		105.00
70	35.5	3	5.1		P.O.R.
70	35.5	4	5.8		P.O.R.
70	40.5	4	5.6		P.O.R.
70	40.5	5	6.2		P.O.R.
71	36	2.5	4.5	B	P.O.R.
71	36	4	5.6	A	147.00
71	36	2	4.6	C	P.O.R.
71.5	45.5	0.7			52.50
80	31	3	5.5		P.O.R.
80	31	4	6.1		P.O.R.
80	36	3	5.7		142.50
80	36	4	6.2		P.O.R.
80	41	3	5.3	B	142.50

O.D.	I.D.	THICKNESS	H	TYPE	PRICE PER NO.
80	41	4	6.2		P.O.R.
80	41	5	6.7	A	P.O.R.
80	41	2.25	5.2	C	P.O.R.
90	46	2.5	5.7	C	P.O.R.
90	46	3.5	6	B	P.O.R.
90	46	5	7	A	P.O.R.
100	41	4	7.2		P.O.R.
100	51	2.7	6.2	C	P.O.R.
100	51	3.5	6.3	B	225.00
100	51	5	7.8		P.O.R.
100	51	6(5.8)	8.2	A	432.00
112	57	4	7.2	B	P.O.R.
112	57	6(5.6)	8.5	A	P.O.R.
112	27	3	6.9	C	P.O.R.
125	61	5	9		P.O.R.
125	61	6(5.6)	9.6		P.O.R.
125	61	8(7.5)	10.9		P.O.R.
125	64	3.5	8	C	P.O.R.
125	64	5	8.5	B	P.O.R.
125	64	8(7.5)	10.6	A	P.O.R.
125	71	6(5.6)	9.3		P.O.R.
125	71	8(7.5)	10.4		P.O.R.
140	72	5(4.8)	9	B	P.O.R.
140	72	8(7.5)	11.2	A	1200.00
140	72	3.8	8.7	C	P.O.R.
150	61	6(5.6)	10.8		P.O.R.
150	71	6(5.6)	10.8		P.O.R.
150	71	8(7.5)	12		P.O.R.
150	81	8(7.5)	11.7		P.O.R.
150	81	10(9.4)	13		P.O.R.
160	82	6(5.6)	10.5	B	P.O.R.
160	82	10(9.4)	13.5	A	P.O.R.
160	82	4.3	9.9	C	P.O.R.
180	92	6(5.6)	11.1	B	P.O.R.
180	92	10(9.4)	14	A	P.O.R.
180	92	4.8	11	C	P.O.R.
200	82	8(7.5)	14.2		P.O.R.
200	82	10(9.4)	15.5		P.O.R.
200	92	10(9.4)	15.6		P.O.R.
200	92	12(11.25)	16.8		P.O.R.
200	102	5.5	12.5	C	P.O.R.
200	102	8(7.5)	13.6	B	P.O.R.
200	102	10(9.4)	15.6		P.O.R.
200	102	12(11.25)	16.2	A	P.O.R.
225	112	6.5	13.6	C	P.O.R.
225	112	8(7.5)	14.5	B	P.O.R.
225	112	12(11.25)	17	A	P.O.R.
250	102	12(11.25)	19		P.O.R.
250	127	7	14.8	C	P.O.R.
250	127	10(9.4)	17	B	P.O.R.
250	127	12(11.25)	19.3		P.O.R.
250	127	14(13.1)	19.6	A	P.O.R.
250	127	16(15.05)	21.8		P.O.R.

Note:  
P.O.R. means prices available on request.

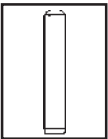
DHS: DIN 2093 STANDERDS HEAVY SERIES  
DLS: DIN 2093 STANDERDS LIGHT SERIES



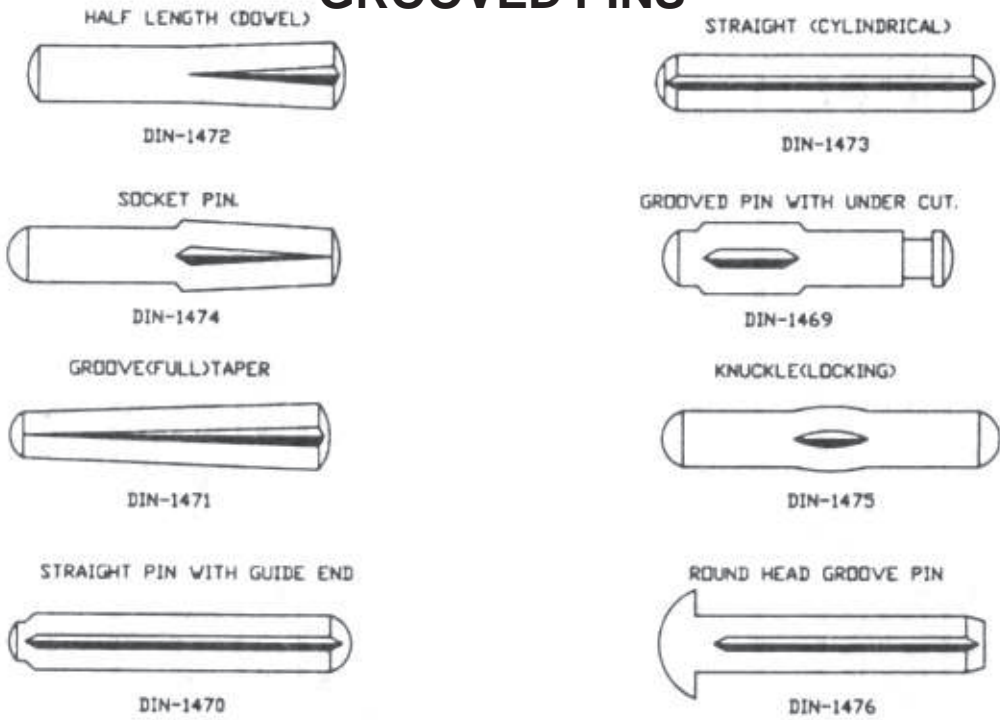
Gurudev Says :

You can experience love,  
but you cannot describe it or express it totally.

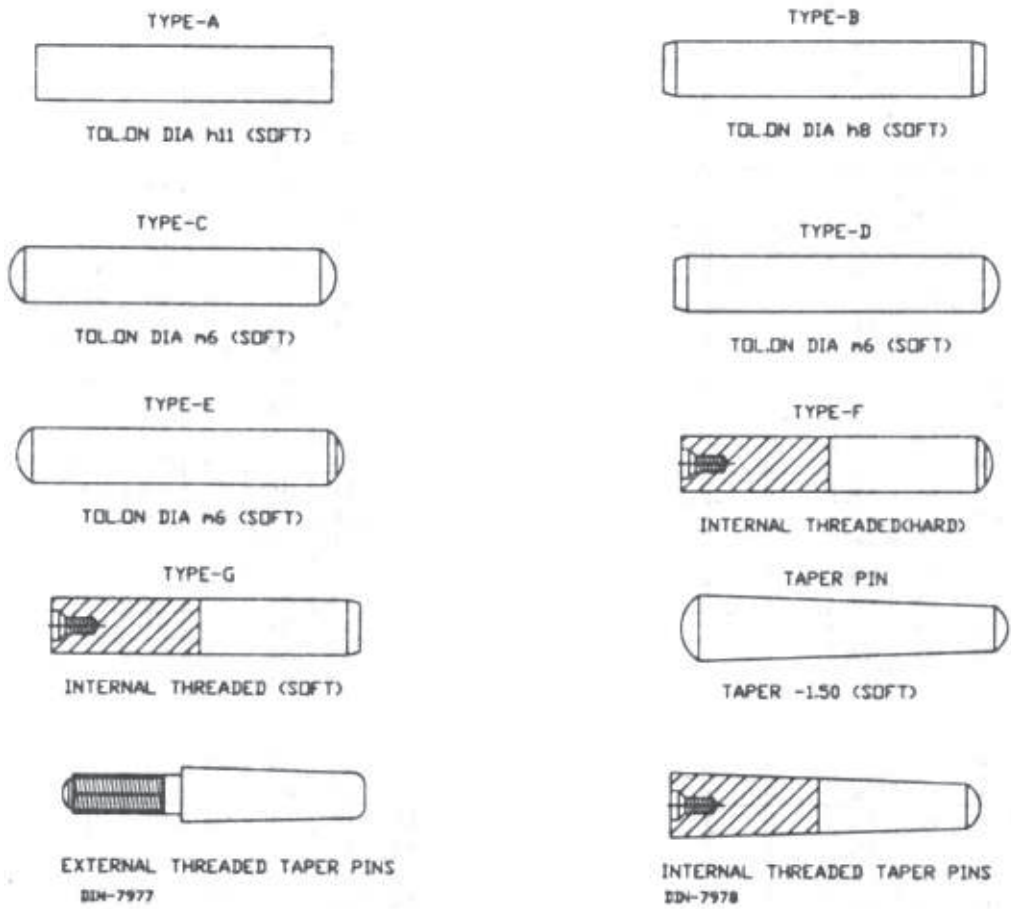
Sri Sri Ravishankar



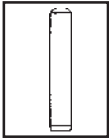
### GROOVED PINS



### CYLINDRICAL DOWEL PINS AND TAPER PINS



## DOWEL PINS



SIZE DIA. X L. MM	DOWEL PIN SOFT IS 2393-TOL.m6	DOWEL PIN HARD EN8/9 TOL. m6	DOWEL PIN HARD IS 6689 TOL. M6 SILVER STEEL	TAPER PIN SOFT IS 6688 TOL. H10	INT.THREADED DOWEL PINS SOFT	INT.THREADED DOWEL PINS HARD	INT.THREADED TAPER PINS SOFT	GROOVED PIN DIN 1471,1472 & 1474	GROOVED PIN DIN 1470, 1473 & 1475
1.5 X 8	2.40	-	4.80	4.20	-	-	-	-	-
1.5 X 10	2.70	-	5.10	4.50	-	-	-	-	-
1.5 X 12	2.70	-	5.40	4.50	-	-	-	-	-
1.5 X 14	3.00	-	5.70	4.50	-	-	-	-	-
1.5 X 16	3.00	-	6.00	4.80	-	-	-	-	-
1.5 X 18	3.30	-	6.30	5.10	-	-	-	-	-
1.5 X 20	3.30	-	6.60	5.40	-	-	-	-	-
1.5 X 25	3.90	-	7.50	5.70	-	-	-	-	-
1.5 X 30	4.20	-	8.40	6.30	-	-	-	-	-
2 X 82.40	-	4.50	3.90	-	-	-	-	-	-
2 X 10	2.40	-	4.80	3.90	-	-	-	-	-
2 X 12	2.40	-	4.80	3.90	-	-	-	-	-
2 X 14	2.70	-	5.10	4.20	-	-	-	-	-
2 X 16	2.70	-	5.40	4.20	-	-	-	-	-
2 X 18	3.00	-	5.70	4.50	-	-	-	-	-
2 X 20	3.00	3.90	6.00	4.80	-	-	-	-	-
2 X 25	3.60	4.20	6.60	5.10	-	-	-	-	-
2 X 30	3.90	4.80	7.50	5.70	-	-	-	-	-
2 X 35	4.20	5.10	8.10	6.30	-	-	-	-	-
2 X 40	4.80	5.70	8.70	6.90	-	-	-	-	-
2 X 45	5.10	6.00	9.30	7.80	-	-	-	-	-
2 X 50	5.40	6.60	9.90	8.40	-	-	-	-	-
2.5 X 8	2.10	2.70	4.20	3.60	-	-	-	-	-
2.5 X 10	2.10	2.70	4.50	3.60	-	-	-	-	-
2.5 X 12	2.40	3.00	4.50	3.60	-	-	-	-	-
2.5 X 14	2.40	3.00	4.80	3.90	-	-	-	-	-
2.5 X 16	2.70	3.30	5.10	3.90	-	-	-	-	-
2.5 X 18	2.70	3.60	5.40	4.20	-	-	-	-	-
2.5 X 20	3.00	3.60	5.70	4.50	-	-	-	-	-
2.5 X 25	3.30	3.90	6.30	4.80	-	-	-	-	-
2.5 X 30	3.60	4.50	6.90	5.40	-	-	-	-	-
2.5 X 35	3.90	4.80	7.50	5.70	-	-	-	-	-
2.5 X 40	4.50	5.10	8.10	6.60	-	-	-	-	-
2.5 X 45	4.80	5.70	8.70	7.20	-	-	-	-	-
2.5 X 50	5.10	6.00	9.30	7.80	-	-	-	-	-
3 X 82.10	2.70	3.90	3.30	-	-	-	3.00	3.90	-
3 X 10	2.10	2.70	4.20	3.60	-	-	-	3.00	3.90
3 X 12	2.10	2.70	4.50	3.60	-	-	-	3.30	4.20
3 X 14	2.40	3.00	4.50	3.60	-	-	-	3.30	4.50
3 X 16	2.40	3.30	4.80	3.90	-	-	-	3.60	4.50
3 X 18	2.70	3.30	5.10	3.90	-	-	-	3.90	4.80
3 X 20	2.70	3.60	5.40	4.20	-	-	-	4.20	5.10
3 X 25	3.00	3.90	6.00	4.50	-	-	-	4.50	5.70
3 X 30	3.30	4.20	6.60	5.10	-	-	-	4.80	6.30
3 X 35	3.60	4.50	7.20	5.70	-	-	-	5.40	6.60
3 X 40	4.20	5.10	7.80	6.30	-	-	-	5.70	7.20
3 X 45	4.50	5.40	8.10	6.90	-	-	-	6.30	7.80
3 X 50	4.80	5.70	8.70	7.50	-	-	-	6.90	8.40
3 X 55	5.10	6.30	9.60	8.10	-	-	-	-	-
3 X 60	-	6.90	10.20	8.70	-	-	-	-	-
3 X 65	-	7.20	10.80	9.30	-	-	-	-	-
3 X 70	-	7.80	11.70	10.20	-	-	-	-	-
3 X 75	-	8.40	12.60	11.10	-	-	-	-	-
3 X 80	-	9.00	13.50	12.00	-	-	-	-	-
3 X 90	-	10.20	15.00	13.80	-	-	-	-	-
3 X 100	-	11.40	16.80	15.30	-	-	-	-	-
4 X 82.10	2.70	4.50	3.60	-	-	-	3.00	4.20	-
4 X 10	2.10	3.00	4.80	3.90	-	-	-	3.30	4.20
4 X 12	2.40	3.00	4.80	3.90	-	-	-	3.60	4.50
4 X 14	2.40	3.00	5.10	4.20	-	-	-	3.60	4.80
4 X 16	2.40	3.30	5.40	4.50	-	-	-	3.90	5.10
4 X 18	2.70	3.30	5.70	4.50	-	-	-	4.20	5.40

**Gurudev Says :**

Love is your very nature; what is your nature cannot change.  
But the expression of love changes.

Sri Sri Ravishankar

DOWEL PINS



SIZE DIA.X.L. MM	DOWEL PIN SOFT IS 2393-TOL.m6	DOWEL PIN HARD EN8/9 TOL. m6	DOWEL PIN HARD IS 6689 TOL. M6 SILVER STEEL	TAPER PIN SOFT IS 6688 TOL. H10	INT.THREADED DOWEL PINS SOFT	INT.THREADED DOWEL PINS HARD	INT.THREADED TAPER PINS SOFT	GROOVED PIN DIN 1471,1472 & 1474	GROOVED PIN DIN 1470, 1473 & 1475
4 X 20	3.00	3.60	5.70	4.80	-	-	-	4.20	5.70
4 X 25	3.30	4.20	6.30	5.10	-	-	-	4.50	6.00
4 X 30	3.60	4.50	6.90	6.00	-	-	-	5.10	6.60
4 X 35	3.90	4.80	7.80	6.30	-	-	-	5.40	7.20
4 X 40	4.20	5.40	8.40	6.90	-	-	-	6.00	7.50
4 X 45	4.50	5.70	9.00	7.50	-	-	-	6.30	8.10
4 X 50	4.80	6.30	9.60	8.40	-	-	-	6.90	8.70
4 X 55	5.40	6.60	10.20	9.30	-	-	-	7.20	9.30
4 X 60	5.70	7.20	10.80	10.20	-	-	-	7.50	9.90
4 X 65	6.00	7.50	11.40	10.80	-	-	-	8.10	10.50
4 X 70	6.30	8.10	12.00	11.40	-	-	-	8.40	11.10
4 X 75	-	8.70	12.90	12.60	-	-	-	-	-
4 X 80	-	9.30	13.80	13.80	-	-	-	-	-
4 X 90	-	10.50	15.30	15.60	-	-	-	-	-
4 X 100	-	12.00	17.10	18.00	-	-	-	-	-
5 X 10	2.40	3.00	4.80	4.20	-	-	-	3.30	4.50
5 X 12	2.40	3.30	5.10	4.20	-	-	-	3.60	4.80
5 X 14	2.70	3.30	5.40	4.20	-	-	-	3.60	5.10
5 X 16	2.70	3.60	5.70	4.50	-	-	-	3.90	5.40
5 X 18	3.00	3.60	5.70	4.80	-	-	-	4.20	5.70
5 X 20	3.00	3.90	6.30	5.10	-	-	-	4.50	6.00
5 X 25	3.30	4.50	6.90	5.70	-	-	-	4.80	6.60
5 X 30	3.60	5.10	7.80	6.30	-	-	-	5.10	7.20
5 X 35	3.90	5.40	8.40	6.90	-	-	-	5.70	7.50
5 X 40	4.50	5.70	8.70	7.80	-	-	-	6.00	8.10
5 X 45	4.80	6.00	9.30	8.70	-	-	-	6.60	8.70
5 X 50	5.10	6.60	9.90	9.60	-	-	-	6.90	9.30
5 X 55	5.40	7.20	10.50	10.50	-	-	-	7.50	9.90
5 X 60	6.00	7.80	11.40	11.70	-	-	-	8.40	10.80
5 X 65	6.30	8.40	12.30	12.60	-	-	-	9.00	11.40
5 X 70	6.90	9.00	12.90	13.50	-	-	-	9.30	12.00
5 X 75	7.20	9.60	13.80	14.70	-	-	-	9.90	12.90
5 X 80	7.50	10.20	14.70	15.90	-	-	-	10.50	13.50
5 X 90	-	12.00	17.10	18.30	-	-	-	-	-
5 X 100	-	13.80	19.80	20.40	-	-	-	-	-
5 X 110	-	15.90	22.50	26.40	-	-	-	-	-
5 X 120	-	17.70	24.90	29.70	-	-	-	-	-
5 X 125	-	18.90	27.30	32.10	-	-	-	-	-
6 X 12	2.70	3.30	5.40	4.50	-	-	-	3.90	5.10
6 X 14	2.70	3.60	5.40	4.80	-	-	-	3.90	5.10
6 X 16	3.00	3.90	5.70	5.10	7.80	11.70	10.20	4.20	5.40
6 X 18	3.00	3.90	6.00	5.40	-	-	-	4.50	5.70
6 X 20	3.60	4.20	6.60	5.70	8.10	12.60	10.80	4.80	6.30
6 X 25	3.90	4.80	7.20	6.30	8.40	13.50	11.40	5.40	6.60
6 X 30	4.20	5.10	7.80	6.90	9.00	14.70	12.00	6.00	7.50
6 X 35	4.80	5.70	8.70	7.80	9.30	15.30	12.90	6.60	8.40
6 X 40	5.10	6.60	9.60	8.70	9.60	16.20	13.80	6.90	9.00
6 X 45	5.70	7.20	10.50	9.60	9.90	17.10	14.40	7.50	9.90
6 X 50	6.00	7.80	11.40	10.50	9.90	18.30	15.30	8.10	10.80
6 X 55	6.60	8.40	12.30	11.40	10.50	19.80	16.20	8.70	11.70
6 X 60	7.20	9.30	13.50	12.60	10.50	21.00	17.40	9.30	12.90
6 X 65	7.80	9.90	14.40	14.10	10.80	22.20	18.30	9.90	13.50
6 X 70	8.10	10.80	15.30	15.60	11.40	23.10	19.50	10.50	14.40
6 X 75	8.70	11.40	16.20	16.80	11.70	24.00	20.40	11.10	15.30
6 X 80	9.60	12.00	17.40	18.00	12.00	25.20	21.30	12.00	16.20
6 X 90	10.50	13.50	19.50	19.20	12.60	27.00	22.80	12.90	18.00
6 X 100	11.70	15.00	21.60	20.70	14.10	29.10	24.60	14.70	19.80
6 X 110	-	17.70	24.90	27.30	-	-	-	-	-
6 X 120	-	20.10	29.70	31.80	-	-	-	-	-
6 X 125	-	21.60	32.10	34.50	-	-	-	-	-
6 X 130	-	23.10	34.80	37.50	-	-	-	-	-
6 X 140	-	26.70	39.60	42.60	-	-	-	-	-

Gurudev Says :

Love can never be superficial, because it is the core of your being,  
it is in the depth of your Self.

Sri Sri Ravishankar

## DOWEL PINS

SIZE DIA.X.L. MM	DOWEL PIN SOFT IS 2393-TOL.m6	DOWEL PIN HARD EN8/9 TOL. m6	DOWEL PIN HARD IS 6689 TOL. M6 SILVER STEEL	TAPER PIN SOFT IS 6688 TOL. H10	INT.THREADED DOWEL PINS SOFT	INT.THREADED DOWEL PINS HARD	INT.THREADED TAPER PINS SOFT	GROOVED PIN DIN 1471,1472 & 1474	GROOVED PIN DIN 1470, 1473 & 1475
6 X 150	-	30.30	45.00	48.60	-	-	-	-	-
8 X 16	3.60	4.80	7.20	6.30	8.70	13.50	11.40	5.10	6.90
8 X 18	3.90	5.10	7.50	6.60	-	-	-	5.40	7.20
8 X 20	3.90	5.10	8.10	7.20	9.00	14.70	12.00	5.70	7.50
8 X 25	4.50	6.00	9.00	7.80	9.60	15.90	12.60	6.30	8.40
8 X 30	5.10	6.90	10.20	9.00	9.90	17.40	13.50	7.20	9.60
8 X 35	5.70	7.80	11.40	9.90	10.50	18.60	14.40	8.10	10.80
8 X 40	6.60	8.70	12.60	11.10	11.10	19.80	15.00	9.00	12.30
8 X 45	7.20	9.60	14.10	12.30	12.00	21.00	16.50	10.20	13.80
8 X 50	7.80	10.50	15.60	13.50	12.60	22.80	17.70	11.40	15.30
8 X 55	8.70	11.40	17.10	15.30	13.50	24.60	19.20	12.90	16.50
8 X 60	9.60	12.90	18.90	16.50	14.40	26.10	20.40	14.10	18.20
8 X 65	10.20	13.80	20.70	18.90	15.30	27.30	21.60	15.30	19.80
8 X 70	11.40	15.30	22.80	20.40	15.90	28.50	22.80	16.50	21.60
8 X 75	12.00	16.50	24.90	21.90	16.50	30.00	24.30	17.70	23.40
8 X 80	12.90	17.40	26.70	23.70	17.10	31.20	25.50	18.60	24.90
8 X 90	14.40	19.50	29.70	25.80	18.00	33.90	27.90	20.70	28.20
8 X 100	15.90	21.90	33.00	28.20	19.20	36.60	30.00	22.50	31.50
8 X 110	-	24.30	37.20	35.70	-	-	-	-	-
8 X 120	-	27.60	42.30	42.00	-	-	-	-	-
8 X 125	-	29.40	45.00	45.60	-	-	-	-	-
8 X 130	-	31.20	47.70	48.90	-	-	-	-	-
8 X 140	-	34.80	53.10	55.80	-	-	-	-	-
8 X 150	-	38.40	58.20	69.60	-	-	-	-	-
10 X 20	5.40	6.90	10.20	8.70	10.50	17.70	13.50	7.80	9.90
10 X 25	6.30	8.40	12.00	9.90	11.40	19.50	14.10	8.70	11.70
10 X 30	7.20	9.30	13.80	11.40	12.00	21.30	15.60	10.20	13.20
10 X 35	8.10	10.80	15.60	12.90	13.20	23.10	17.10	11.40	15.00
10 X 40	8.70	11.70	17.40	14.70	13.80	24.90	18.50	12.60	16.50
10 X 45	9.60	12.90	18.90	15.90	14.40	26.40	19.50	14.10	18.30
10 X 50	10.50	14.10	20.70	17.40	15.00	28.20	20.40	15.00	19.80
10 X 55	11.70	15.60	22.80	18.90	16.20	29.70	21.90	16.80	22.20
10 X 60	13.20	17.40	25.50	21.00	17.10	32.10	23.10	18.60	24.60
10 X 65	14.40	19.20	27.90	22.80	18.30	33.60	24.60	20.40	27.30
10 X 70	15.90	21.00	31.80	24.60	19.50	35.40	26.10	22.50	30.30
10 X 75	17.10	22.80	34.50	26.40	20.10	37.20	27.30	24.00	33.00
10 X 80	18.30	24.60	37.80	28.20	21.00	39.00	28.80	25.80	35.40
10 X 90	20.40	27.60	42.60	31.80	23.40	42.30	31.50	29.40	40.20
10 X 100	23.10	31.20	48.30	35.40	26.10	45.30	33.90	33.90	46.20
10 X 110	-	35.70	53.10	46.20	-	-	-	-	-
10 X 120	-	39.30	60.00	56.40	-	-	-	-	-
10 X 125	-	41.40	63.30	61.50	-	-	-	-	-
10 X 130	-	43.80	66.60	66.30	-	-	-	-	-
10 X 140	-	48.60	73.20	76.20	-	-	-	-	-
10 X 150	-	53.40	80.40	86.40	-	-	-	-	-
12 X 25	8.10	10.80	16.80	12.90	14.10	24.00	17.10	11.40	15.90
12 X 30	9.30	12.60	18.60	14.10	15.00	26.40	18.30	12.90	18.00
12 X 35	10.20	13.80	21.00	15.90	16.20	28.50	19.50	14.40	20.10
12 X 40	11.40	15.60	23.40	17.40	17.10	30.90	20.70	16.20	22.20
12 X 45	12.60	17.40	26.10	19.50	18.30	33.30	22.20	17.70	24.60
12 X 50	13.80	19.20	28.50	21.30	19.50	35.70	24.00	19.50	27.30
12 X 55	15.00	20.70	31.20	23.40	20.70	38.10	25.50	21.00	29.70
12 X 60	16.50	22.80	33.90	25.50	21.60	40.80	27.00	22.80	32.10
12 X 65	17.70	24.30	36.90	27.90	22.80	42.90	28.50	24.60	34.50
12 X 70	19.20	26.40	39.30	30.90	24.00	45.00	31.20	26.40	37.80
12 X 75	21.00	29.40	43.20	33.60	25.20	47.40	33.00	29.10	42.00
12 X 80	22.50	31.20	46.50	36.30	26.10	49.80	34.20	30.90	45.00
12 X 90	24.60	34.50	51.90	40.20	28.20	54.30	36.60	34.80	49.80
12 X 100	27.30	38.40	56.70	44.40	31.50	58.70	39.30	39.60	55.50
12 X 110	-	43.80	64.80	59.10	-	-	-	-	-
12 X 120	-	48.60	72.30	71.40	-	-	-	-	-
12 X 125	-	51.00	75.90	77.40	-	-	-	-	-

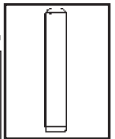
Gurudev Says :

Look at your self, what is happening when you experience that deep love ?  
You start dissolving, disappearing.

Sri Sri Ravishankar



DOWEL PINS



SIZE DIA.X.L. MM	DOWEL PIN SOFT IS 2393-TOL.m6	DOWEL PIN HARD EN8/9 TOL. m6	DOWEL PIN HARD IS 6689 TOL. M6 SILVER STEEL	TAPER PIN SOFT IS 6688 TOL. H10	INT.THREADED DOWEL PINS SOFT	INT.THREADED DOWEL PINS HARD	INT.THREADED TAPER PINS SOFT	GROOVED PIN DIN 1471,1472 & 1474	GROOVED PIN DIN 1470, 1473 & 1475
12 X 130	-	53.70	79.50	82.80	-	-	-	-	-
12 X 140	-	58.80	87.30	96.30	-	-	-	-	-
12 X 150	-	63.60	94.80	109.50	-	-	-	-	-
16 X 25	15.30	20.10	29.10	20.40	20.70	34.50	24.00	-	-
16 X 30	17.40	23.40	34.20	23.70	22.20	38.10	26.40	-	-
16 X 35	19.50	27.00	40.50	26.70	23.70	41.70	28.80	-	-
16 X 40	21.90	30.60	47.40	30.30	25.50	45.30	31.50	-	-
16 X 45	24.30	34.20	53.40	33.90	27.00	49.20	34.20	-	-
16 X 50	26.40	37.80	57.30	37.50	28.50	52.80	36.60	-	-
16 X 55	28.80	41.70	63.90	41.10	30.00	57.60	38.70	-	-
16 X 60	31.50	45.60	69.90	43.50	31.50	61.20	40.20	-	-
16 X 65	33.90	49.20	75.60	45.60	33.30	65.10	41.70	-	-
16 X 70	36.30	52.50	81.00	48.30	34.80	68.70	43.50	-	-
16 X 75	38.70	56.10	87.00	51.00	36.30	72.60	45.00	-	-
16 X 80	40.80	59.40	92.70	54.30	38.40	76.50	46.80	-	-
16 X 90	45.30	66.30	103.50	59.10	42.30	84.00	50.70	-	-
16 X 100	49.80	73.20	115.50	64.50	46.20	91.20	54.90	-	-
16 X 110	-	81.30	130.50	88.20	-	-	-	-	-
16 X 120	-	88.20	141.60	101.40	-	-	-	-	-
16 X 125	-	91.20	146.40	107.70	-	-	-	-	-
16 X 130	-	94.80	152.10	114.00	-	-	-	-	-
16 X 140	-	101.70	163.20	127.80	-	-	-	-	-
16 X 150	-	108.30	174.00	142.50	-	-	-	-	-
20 X 30	27.30	36.30	45.30	42.30	34.80	57.90	43.20	-	-
20 X 35	30.30	41.40	54.60	46.50	36.60	63.90	45.90	-	-
20 X 40	33.60	46.80	63.90	50.40	39.00	69.90	48.60	-	-
20 X 45	37.50	51.90	73.80	55.20	41.70	75.90	51.90	-	-
20 X 50	41.10	57.90	84.00	59.70	44.10	84.30	55.20	-	-
20 X 55	44.70	63.90	94.20	63.90	47.40	90.00	57.60	-	-
20 X 60	48.60	69.90	104.40	69.00	50.10	95.40	61.20	-	-
20 X 65	52.80	74.70	114.60	74.10	52.20	101.40	64.50	-	-
20 X 70	56.70	80.10	123.90	79.50	54.30	107.40	67.20	-	-
20 X 75	60.60	85.80	132.90	84.90	56.70	113.10	70.50	-	-
20 X 80	64.80	91.50	142.80	90.00	59.40	119.40	73.50	-	-
20 X 90	72.60	103.20	162.60	99.60	65.10	131.10	79.20	-	-
20 X 100	80.70	114.30	183.60	112.20	70.20	142.80	84.60	-	-
20 X 110	-	129.90	211.20	144.30	-	-	-	-	-
20 X 120	-	143.10	231.90	159.00	-	-	-	-	-
20 X 125	-	149.70	242.40	166.80	-	-	-	-	-
20 X 130	-	155.70	252.60	174.90	-	-	-	-	-
20 X 140	-	168.60	273.30	191.10	-	-	-	-	-
20 X 150	-	181.50	294.30	207.00	-	-	-	-	-

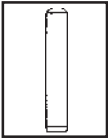


Gurudev Says :

Can you create love inside you ? It is not possible;  
love is a happening, a phenomenon.

Sri Sri Ravishankar

## DOWEL PINS



SIZE DIA. X L. IN INCHES	DOWEL PIN SOFT IS 2393-TOL.m6	DOWEL PIN HARD EN8/9 TOL. m6	DOWEL PIN HARD IS 6689 TOL. M6 SILVER STEEL	TAPER PIN SOFT IS 6688 TOL. H10	SIZE DIA. X L. IN INCHES	DOWEL PIN SOFT IS 2393-TOL.m6	DOWEL PIN HARD EN8/9 TOL. m6	DOWEL PIN HARD IS 6689 TOL. M6 SILVER STEEL	TAPER PIN SOFT IS 6688 TOL. H10
1/8 X 3/8	2.10	2.70	4.20	3.60	3/8 X 3/4	5.70	7.50	9.90	9.00
1/8 X 1/2	2.40	3.00	4.50	3.90	3/8 X 1	6.90	8.70	11.40	9.90
1/8 X 3/4	2.70	3.60	5.40	4.20	3/8 X 1.1/4	7.80	10.20	13.20	11.10
1/8 X 1	3.30	3.90	6.00	4.80	3/8 X 1.1/2	9.30	11.70	15.60	12.00
1/8 X 1.1/4	3.60	4.50	6.90	5.70	3/8 X 1.3/4	10.50	13.50	17.70	13.50
1/8 X 1.1/2	4.20	4.80	7.80	6.30	3/8 X 2	11.40	15.30	19.50	15.30
1/8 X 1.3/4	4.50	5.40	8.40	6.90	3/8 X 2.1/4	12.90	16.80	22.50	17.40
1/8 X 2	5.10	5.70	9.00	7.80	3/8 X 2.1/2	14.10	18.60	24.90	19.50
5/32 X 3/8	2.10	2.70	4.50	3.90	3/8 X 2.3/4	15.90	21.00	28.50	21.60
5/32 X 1/2	2.40	3.30	5.10	4.20	3/8 X 3	17.40	23.10	31.80	24.60
5/32 X 3/4	3.00	3.90	5.70	4.80	3/8 X 3.1/4	18.90	25.20	34.80	26.70
5/32 X 1	3.30	4.20	6.60	5.40	3/8 X 3.1/2	20.40	27.60	37.80	29.40
5/32 X 1.1/4	3.90	4.80	7.50	6.30	3/8 X 3.3/4	21.30	29.40	41.40	33.30
5/32 X 1.1/2	4.50	5.10	8.10	6.90	3/8 X 4	22.80	31.80	45.00	37.80
5/32 X 1.3/4	4.80	5.70	9.00	7.80	3/8 X 4.1/2	-	39.60	58.20	49.50
5/32 X 2	5.10	6.30	9.60	8.40	3/8 X 5	-	43.50	64.50	57.60
5/32 X 2.1/4	5.70	6.90	10.50	9.30	3/8 X 5.1/2	-	49.80	72.90	66.30
5/32 X 2.1/2	6.30	7.50	11.40	10.20	3/8 X 6	-	56.40	82.20	75.90
3/16 X 1/2	2.70	3.30	5.40	4.20	1/2 X 1	9.60	13.50	18.60	13.80
3/16 X 3/4	3.00	3.90	6.30	5.10	1/2 X 1.1/4	11.70	16.50	22.20	15.90
3/16 X 1	3.30	4.50	7.20	5.70	1/2 X 1.1/2	13.20	18.90	25.50	18.30
3/16 X 1.1/4	3.90	5.10	7.80	6.60	1/2 X 1.3/4	14.40	21.30	28.80	21.00
3/16 X 1.1/2	4.20	5.70	8.70	7.50	1/2 X 2	15.90	23.40	31.80	22.50
3/16 X 1.3/4	4.80	6.30	9.60	8.40	1/2 X 2.1/4	18.00	26.70	36.30	24.90
3/16 X 2	5.40	6.60	10.20	9.30	1/2 X 2.1/2	19.50	29.70	40.20	27.30
3/16 X 2.1/4	6.00	7.80	11.40	10.50	1/2 X 2.3/4	21.30	31.80	44.10	30.60
3/16 X 2.1/2	6.60	8.10	12.00	11.70	1/2 X 3	22.80	33.90	46.80	34.80
3/16 X 2.3/4	6.90	9.00	12.90	12.90	1/2 X 3.1/4	24.90	36.30	51.00	38.70
3/16 X 3	7.20	9.60	14.10	13.80	1/2 X 3.1/2	27.30	39.30	54.60	42.00
1/4 X 1/2	2.70	3.60	5.70	4.80	1/2 X 3.3/4	29.70	41.70	58.50	45.90
1/4 X 3/4	3.60	4.20	6.60	5.70	1/2 X 4	31.80	44.70	61.80	48.30
1/4 X 1	4.20	4.80	7.50	6.30	1/2 X 4.1/2	-	53.70	78.90	68.40
1/4 X 1.1/4	4.80	5.40	8.40	7.20	1/2 X 5	-	59.10	87.00	78.90
1/4 X 1.1/2	5.10	6.30	9.30	7.80	1/2 X 5.1/2	-	66.00	97.80	92.10
1/4 X 1.3/4	5.70	6.90	10.50	8.70	1/2 X 6	-	73.50	108.30	105.00
1/4 X 2	6.30	7.80	11.70	9.90	5/8 X 1	15.60	20.70	30.00	-
1/4 X 2.1/4	7.20	8.70	12.90	11.40	5/8 X 1.1/4	18.00	25.20	37.20	-
1/4 X 2.1/2	7.80	9.60	14.10	12.60	5/8 X 1.1/2	20.70	30.60	44.70	35.70
1/4 X 2.3/4	8.40	10.50	15.30	14.10	5/8 X 1.3/4	23.40	36.00	53.10	39.60
1/4 X 3	9.00	11.40	16.50	15.60	5/8 X 2	26.10	40.50	60.60	44.10
1/4 X 3.1/4	9.90	12.30	18.00	16.80	5/8 X 2.1/4	29.10	45.30	67.50	48.90
1/4 X 3.1/2	10.20	13.20	19.20	17.40	5/8 X 2.1/2	31.50	49.80	75.00	55.20
1/4 X 3.3/4	11.10	14.10	20.70	18.00	5/8 X 2.3/4	34.20	54.30	82.50	60.90
1/4 X 4	12.00	15.00	21.60	18.90	5/8 X 3	36.60	58.10	88.80	66.00
5/16 X 1/2	3.30	3.90	6.00	6.00	5/8 X 3.1/4	39.60	62.70	96.00	71.10
5/16 X 3/4	3.90	5.10	7.50	6.90	5/8 X 3.1/2	42.90	67.20	102.90	75.60
5/16 X 1	4.50	6.30	9.30	7.50	5/8 X 3.3/4	45.90	72.30	110.40	80.10
5/16 X 1.1/4	5.40	7.50	10.80	8.70	5/8 X 4	49.80	76.80	117.30	84.30
5/16 X 1.1/2	6.30	8.70	12.30	9.90	5/8 X 4.1/2	-	90.00	141.60	95.10
5/16 X 1.3/4	7.20	9.60	14.10	11.10	5/8 X 5	-	96.90	152.10	109.80
5/16 X 2	8.10	10.80	17.90	12.60	5/8 X 5.1/2	-	106.50	166.50	123.90
5/16 X 2.1/4	9.30	12.60	18.30	14.10	5/8 X 6	-	116.40	181.80	138.00
5/16 X 2.1/2	10.20	14.10	20.40	16.20	3/4 X 1.1/2	31.80	44.10	62.10	-
5/16 X 2.3/4	11.10	15.60	22.80	18.00	3/4 X 1.3/4	35.10	50.70	73.80	-
5/16 X 3	12.30	17.10	25.20	20.10	3/4 X 2	38.10	58.20	86.10	61.20
5/16 X 3.1/4	12.90	18.30	27.30	21.60	3/4 X 2.1/4	41.10	65.70	99.00	67.20
5/16 X 3.1/2	13.80	19.50	29.40	23.10	3/4 X 2.1/2	44.70	72.60	111.30	73.20
5/16 X 3.3/4	14.70	21.00	31.20	24.60	3/4 X 2.3/4	48.90	80.10	123.90	78.90
5/16 X 4	15.30	22.40	33.30	26.10	3/4 X 3	52.80	88.40	137.40	84.60
5/16 X 4.1/2	-	27.60	42.90	38.40	3/4 X 3.1/4	56.70	96.90	150.60	90.30
5/16 X 5	-	31.20	48.60	44.40	3/4 X 3.1/2	60.30	104.40	162.90	95.70
5/16 X 5.1/2	-	36.00	55.80	51.00	3/4 X 3.3/4	63.90	112.80	176.40	102.00
5/16 X 6	-	40.80	63.00	58.20	3/4 X 4	68.10	120.60	189.00	107.70

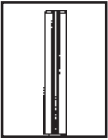
Gurudev Says :

The prayer of the enlightened is the prayer which is full of love.  
It is like the ocean, full of movement, but with nowhere to go.

Sri Sri Ravishankar

**DOWEL PINS**

SIZE DIA. X L. IN INCHES	DOWEL PIN SOFT IS 2393-TOL.m6	DOWEL PIN HARD EN8/9 TOL. m6	DOWEL PIN HARD IS 6689 TOL. M6 SILVER STEEL	TAPER PIN SOFT IS 6688 TOL. H10	SIZE DIA. X L. IN INCHES	DOWEL PIN SOFT IS 2393-TOL.m6	DOWEL PIN HARD EN8/9 TOL. m6	DOWEL PIN HARD IS 6689 TOL. M6 SILVER STEEL	TAPER PIN SOFT IS 6688 TOL. H10
3/4 X 4.1/2	-	143.70	226.80	138.90	3/4 X 5.1/2	-	173.70	273.90	163.20
3/4 X 5	-	156.30	246.60	150.60	3/4 X 6	-	191.70	302.10	174.90



**SPRING DOWEL PINS AS PER DIN 1481/IS 5988**

DIA. X LTH	PRICE - LIGHT	DIA. X LTH	PRICE - LIGHT	DIA. X LTH	PRICE - LIGHT	DIA. X LTH	PRICE - LIGHT
1.5 X 12	0.90	3 X 55	2.40	6 X 15	1.50	10 X 12	2.70
1.5 X 15	0.90	4 X 8	1.20	6 X 20	1.50	10 X 15	3.00
1.5 X 20	0.90	4 X 12	1.20	6 X 25	1.80	10 X 20	3.30
1.5 X 25	1.20	4 X 15	1.20	6 X 30	2.10	10 X 25	3.90
1.5 X 30	1.50	4 X 20	1.20	6 X 32	2.10	10 X 30	4.20
1.5 X 32	1.50	4 X 25	1.20	6 X 35	2.40	10 X 32	4.80
1.5 X 35	1.80	4 X 30	1.50	6 X 38	2.70	10 X 35	5.40
1.5 X 38	1.80	4 X 32	1.50	6 X 40	2.70	10 X 38	6.90
1.5 X 40	1.80	4 X 35	1.80	6 X 42	2.70	10 X 40	6.90
1.5 X 45	2.10	4 X 38	2.10	6 X 45	2.70	10 X 42	6.90
1.5 X 50	2.70	4 X 40	2.10	6 X 48	3.00	10 X 45	6.90
2 X 8	0.90	4 X 42	2.10	6 X 50	3.00	10 X 48	7.20
2 X 12	0.90	4 X 45	2.10	6 X 52	3.60	10 X 50	7.20
2 X 15	0.90	4 X 48	2.70	6 X 55	3.60	10 X 52	7.80
2 X 20	0.90	4 X 50	2.70	6 X 58	3.90	10 X 55	7.80
2 X 25	1.20	4 X 52	3.00	6 X 60	3.90	10 X 58	8.70
2 X 30	1.20	4 X 55	3.00	6 X 62	4.50	10 X 60	8.70
2 X 32	1.50	4 X 58	3.30	6 X 65	4.50	10 X 62	11.70
2 X 35	1.50	4 X 60	3.30	6 X 70	5.40	10 X 65	11.70
2 X 38	1.80	5 X 8	1.20	8 X 8	1.80	10 X 70	12.90
2 X 40	1.80	5 X 12	1.20	8 X 12	1.80	12 X 8	3.60
2 X 42	1.80	5 X 15	1.20	8 X 15	1.80	12 X 12	3.60
2 X 45	1.80	5 X 20	1.20	8 X 20	2.10	12 X 15	4.50
2 X 48	2.10	5 X 25	1.50	8 X 25	2.40	12 X 20	5.40
2 X 50	2.10	5 X 30	1.80	8 X 30	2.40	12 X 25	5.40
2 X 52	2.10	5 X 32	1.80	8 X 32	2.70	12 X 30	6.60
3 X 8	0.90	5 X 35	2.10	8 X 35	3.00	12 X 32	6.90
3 X 12	0.90	5 X 38	2.10	8 X 38	3.00	12 X 35	7.20
3 X 15	1.20	5 X 40	2.10	8 X 40	3.00	12 X 38	7.50
3 X 20	1.20	5 X 42	2.40	8 X 42	3.30	12 X 40	7.50
3 X 25	1.20	5 X 45	2.40	8 X 45	3.30	12 X 42	7.80
3 X 30	1.50	5 X 48	2.70	8 X 48	3.60	12 X 45	7.80
3 X 32	1.50	5 X 50	2.70	8 X 50	3.60	12 X 48	9.30
3 X 35	1.50	5 X 52	3.30	8 X 52	4.20	12 X 50	9.30
3 X 38	1.80	5 X 55	3.30	8 X 55	4.20	12 X 52	9.90
3 X 40	1.80	5 X 58	3.60	8 X 58	4.80	12 X 55	9.90
3 X 42	2.10	5 X 60	3.60	8 X 60	4.80	12 X 58	12.30
3 X 45	2.10	5 X 65	4.20	8 X 62	5.40	12 X 60	12.30
3 X 48	2.10	5 X 70	4.80	8 X 65	5.40	12 X 62	15.30
3 X 50	2.10	6 X 8	1.20	8 X 70	6.00	12 X 65	15.30
3 X 52	2.40	6 X 12	1.20	10 X 8	2.70	12 X 70	16.50



**Gurudev Says :**

**If there is love, there is bound to be longing,  
and if there is longing, know that there is love.**

**Sri Sri Ravishankar**

**STEEL BALLS**



**SIZES IN INCHES**

DIAMETER INCH	DIAMETER MM	H.C. PRICE	H. C. H. C. PRICE	DIAMETER INCH	DIAMETER MM	H.C. PRICE	H. C. H. C. PRICE	DIAMETER INCH	DIAMETER MM	H.C. PRICE	H. C. H. C. PRICE
1/16"	1.58	0.06	0.15	27/64"	10.71	P.O.R.	P.O.R.	29/32"	23.01	39.00	66.00
5/64"	1.98	P.O.R.	P.O.R.	7/16"	11.11	2.82	4.56	15/16"	23.81	39.00	78.00
3/32"	2.38	0.06	0.15	29/64"	11.5	P.O.R.	P.O.R.	31/32"	24.6	51.00	78.00
7/64"	2.77	P.O.R.	P.O.R.	15/32"	11.9	3.90	5.91	1"	25.4	39.00	78.00
1/8"	3.17	0.12	0.51	31/64"	12.3	P.O.R.	P.O.R.	1.1/32"	26.19	P.O.R.	P.O.R.
5/32"	3.96	0.12	0.66	1/2"	12.7	4.29	7.14	1-1/16"	26.98	P.O.R.	93.00
3/16"	4.76	0.21	0.93	33/64"	13.09	P.O.R.	P.O.R.	1-1/8"	28.57	P.O.R.	105.00
7/32"	5.55	0.39	1.05	17/32"	13.49	5.64	8.76	1-5/32"	29.36	P.O.R.	P.O.R.
15/64"	5.95	0.39	1.05	9/16"	14.28	6.60	10.23	1-3/16"	30.16	P.O.R.	132.00
1/4"	6.35	0.39	1.20	19/32"	15.08	8.07	12.00	1-1/4"	31.75	P.O.R.	174.00
17/64"	6.74	P.O.R.	P.O.R.	39/64"	15.47	P.O.R.	P.O.R.	1-5/16"	33.33	P.O.R.	231.00
9/32"	7.14	0.78	1.59	5/8"	15.87	9.30	14.43	1-3/8"	34.92	174.00	240.00
19/64"	7.54	P.O.R.	P.O.R.	21/32"	16.66	12.00	17.40	1-7/16"	36.51	P.O.R.	255.00
5/16"	7.93	0.93	1.86	11/16"	17.46	14.70	19.56	1-1/2"	38.1	201.00	294.00
21/64"	8.33	P.O.R.	P.O.R.	23/32"	18.25	17.25	29.82	1.9/16"	39.68	P.O.R.	390.00
11/32"	8.73	1.32	2.28	3/4"	19.05	21.00	36.00	1-5/8"	41.27	P.O.R.	450.00
23/64"	9.12	P.O.R.	P.O.R.	25/32"	19.84	24.00	39.00	1-3/4"	44.45	P.O.R.	483.00
3/8"	9.52	1.86	3.21	13/16"	20.63	24.00	51.00	1-7/8"	47.62	P.O.R.	510.00
25/64"	9.92	P.O.R.	P.O.R.	27/32"	21.43	30.00	57.00	1.15/16"	49.21	P.O.R.	P.O.R.
13/32"	10.31	2.13	4.02	7/8"	22.22	30.00	51.00	2"	50.8	P.O.R.	660.00

Note : P.O.R. means prices available on request.

**STEEL BALLS**

**SIZES IN MM**

DIAMETER MM	H. C. H. C. PRICE	DIAMETER MM	H. C. H. C. PRICE	DIAMETER MM	H. C. H. C. PRICE	DIAMETER MM	H. C. H. C. PRICE	DIAMETER MM	H. C. H. C. PRICE	DIAMETER MM	H. C. H. C. PRICE
0.4	P.O.R.	2.5	0.39	7.5	1.59	17	21.00	29	P.O.R.	45	510.00
0.5	P.O.R.	3	0.45	8	1.74	18	30.00	30	174.00	47	P.O.R.
0.6	P.O.R.	3.2	P.O.R.	8.5	2.28	19	33.00	31	P.O.R.	48	P.O.R.
0.7	P.O.R.	3.5	0.51	9	2.67	20	39.00	32	240.00	50	720.00
0.8	P.O.R.	3.8	P.O.R.	10	3.48	21	51.00	34	390.00	52	P.O.R.
1	P.O.R.	4	0.66	10.5	P.O.R.	22	66.00	35	294.00	53	P.O.R.
1.2	P.O.R.	4.5	0.78	11	4.44	23	78.00	36	P.O.R.	55	P.O.R.
1.5	0.24	5	0.93	12	6.60	24	84.00	37	P.O.R.	60	1740.00
1.8	P.O.R.	5.5	1.05	13	9.30	25	78.00	38	375.00	65	2400.00
1.98	P.O.R.	6	1.20	14	10.50	26	P.O.R.	40	P.O.R.	70	P.O.R.
2	0.39	6.5	1.32	15	12.00	27	P.O.R.	41	P.O.R.	75	P.O.R.
2.2	P.O.R.	7	1.47	16	18.00	28	147.00	42	P.O.R.	80	P.O.R.

Note : P.O.R. means prices available on request.



**Gurudev Says :**

Knowledge is untruth if it is only words, but as existence, it is truth.  
Love is an emotion is not truth, as existence, it is truth.

Sri Sri Ravishankar

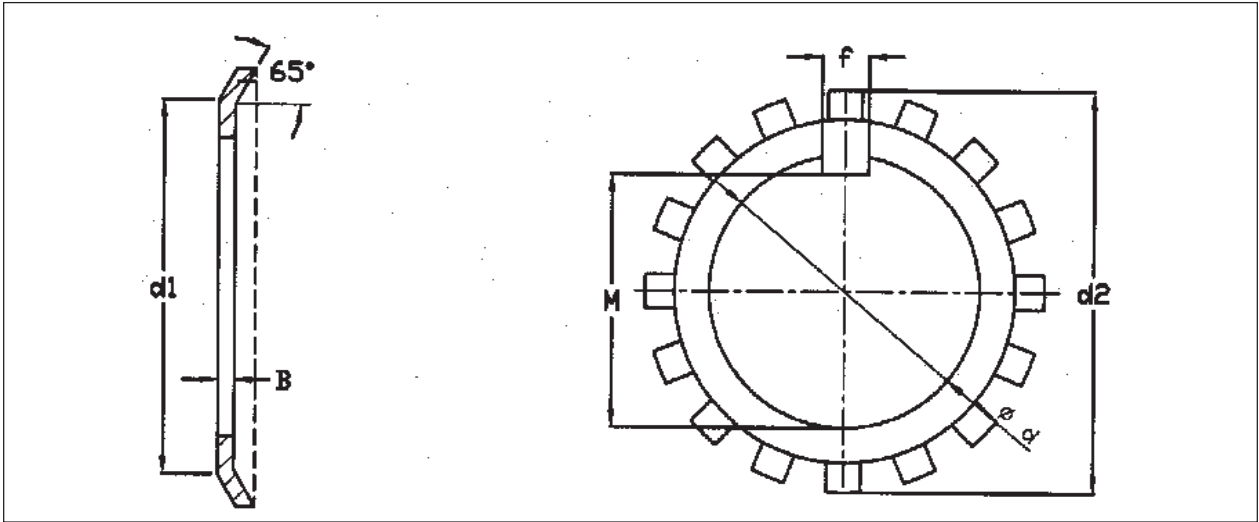
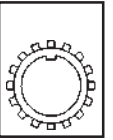
# LOCKING WASHERS

MATERIAL : SPRING STEEL

D 10-280 MM

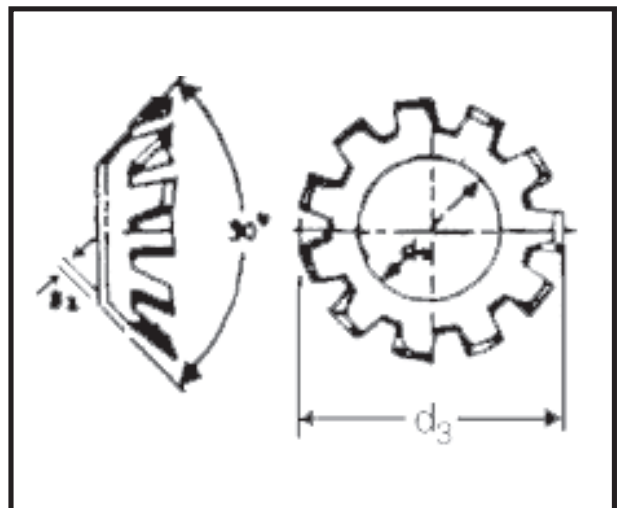
MATERIAL : C10

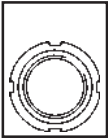
MFG STANDARDS : IS 6731-1977  
ISO 2982



d mm	d1	d2	B	f	M	WEIGHT g	DESIGNATION	PRICE PER NOS.
10	13.5	21	1	3	8.5	1.3	MB 0	14.40
12	17	25	1	3	10.5	1.9	MB 1	14.40
15	21	28	1	4	13.5	2.5	MB 2	14.40
17	24	32	1	4	15.5	3.1	MB 3	18.00
20	26	36	1	4	18.5	3.5	MB 4	19.80
25	32	42	1.25	5	23	6.4	MB 5	19.80
30	38	49	1.25	5	27.5	7.8	MB 6	19.80
35	44	57	1.25	6	32.5	10	MB 7	21.60
40	50	62	1.25	6	37.5	12	MB 8	21.60
45	56	69	1.25	6	42.5	15	MB 9	25.20
50	61	74	1.25	6	47.5	16	MB 10	30.60
55	67	81	1.25	8	52.5	20	MB 11	30.60
60	73	86	1.5	8	57.5	25	MB 12	39.60
65	79	92	1.5	8	62.5	29	MB 13	46.80
70	85	98	1.5	8	66.5	33	MB 14	46.80
75	90	104	1.5	8	71.5	36	MB 15	54.00
80	95	112	1.75	10	76.5	46	MB 16	54.00
85	102	119	1.75	10	81.5	52	MB 17	63.00
90	108	126	1.75	10	86.5	62	MB 18	81.00

d mm	d1	d2	B	f	M	WEIGHT g	DESIGNATION	PRICE PER NOS.
95	113	133	1.75	10	91.5	67	MB 19	99.00
100	120	142	1.75	12	96.5	77	MB 20	117.00
105	126	145	1.75	12	100.5	83	MB 21	144.00
110	133	154	1.75	12	105.5	94	MB 22	153.00
115	137	159	2	12	110.5	110	MB 23	189.00
120	138	164	2	14	115	105	MB 24	234.00
125	148	170	2	14	120	130	MB 25	297.00
130	149	175	2	14	125	115	MB 26	306.00
135	160	185	2	14	130	145	MB 27	351.00
140	160	192	2	16	135	140	MB 28	378.00
145	172	202	2	16	140	170	MB 29	396.00
150	171	205	2	16	145	155	MB 30	423.00
155	182	212	2.5	16	147.5	210	MB 31	459.00
160	182	217	2.5	18	154	220	MB 32	459.00
165	193	222	2.5	18	157.5	240	MB 33	522.00
170	193	232	2.5	18	164	245	MB 34	549.00
180	203	242	2.5	20	174	270	MB 36	648.00
190	214	252	2.5	20	184	280	MB 38	873.00
200	226	262	2.5	20	194	295	MB 40	1035.00





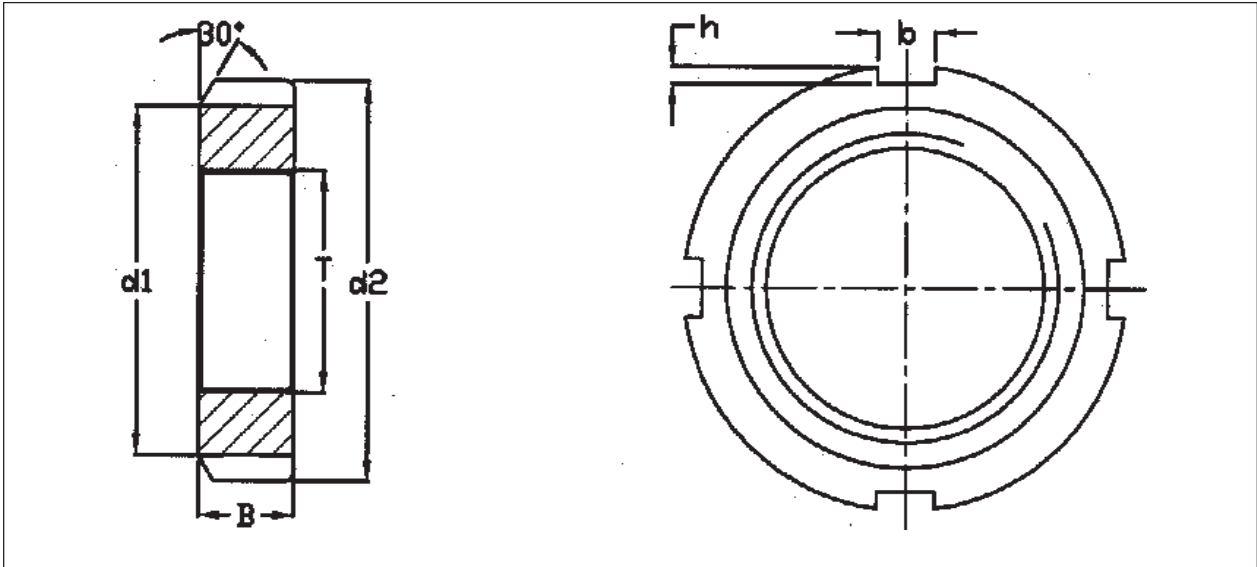
# LOCK NUTS

MATERIAL : SPRING STEEL

M 10 X 0,75 TO M 200 X 3 AND Tr 205 X 4 to Tr 310 X 5

MATERIAL : C20 / C30

MFG. STANDARDS : IS 6731-1997  
ISO 2982



G mm	d1	d2	B	b	h	DESIGNATION	APPROPRIATE LOCKING WASHER	PRICE PER NOS.
M 10 X .75	13.5	18	4	3	2	KM 0	MB 0	52.20
M 12 X 1	17	22	4	3	2	KM 1	MB 1	52.20
M 15 X 1	21	25	5	4	2	KM 2	MB 2	52.20
M 17 X 1	24	28	5	4	2	KM 3	MB 3	52.20
M 20 X 1	26	32	6	4	2	KM 4	MB 4	61.20
M 25 X 1.5	32	38	7	5	2	KM 5	MB 5	72.00
M 30 X 1.5	38	45	7	5	2	KM 6	MB 6	72.00
M 35 X 1.5	44	52	8	5	2	KM 7	MB 7	72.00
M 40 X 1.5	50	58	9	6	2.5	KM 8	MB 8	84.60
M 45 X 1.5	56	65	10	6	2.5	KM 9	MB 9	93.60
M 50 X 1.5	61	70	11	6	2.5	KM 10	MB 10	104.40
M 55 X 2	67	75	11	7	3	KM 11	MB 11	111.60
M 60 X 2	73	80	11	7	3	KM 12	MB 12	117.00
M 65 X 2	79	85	12	7	3	KM 13	MB 13	151.20
M 70 X 2	85	92	12	8	3.5	KM 14	MB 14	183.60
M 75 X 2	90	93	13	8	3.5	KM 15	MB 15	198.00
M 80 X 2	95	105	15	8	3.5	KM 16	MB 16	288.00
M 85 X 2	102	110	16	8	3.5	KM 17	MB 17	324.00
M 90 X 2	108	120	16	10	4	KM 18	MB 18	378.00

G mm	d1	d2	B	b	h	DESIGNATION	APPROPRIATE LOCKING WASHER	PRICE PER NOS.
M 95 X 2	113	125	17	10	4	KM 19	MB 19	423.00
M 100 X 2	120	130	18	10	4	KM 20	MB 20	450.00
M 105 X 2	136	140	18	12	5	KM 21	MB 21	486.00
M 110 X 2	133	145	19	12	5	KM 22	MB 22	522.00
M 115 X 2	137	150	19	12	5	KM 23	MB 23	594.00
M 120 X 2	138	155	20	12	5	KM 24	MB 24	621.00
M 125 X 2	148	160	21	12	5	KM 25	MB 25	684.00
M 130 X 2	149	165	21	12	5	KM 26	MB 26	747.00
M 135 X 2	160	175	22	14	6	KM 27	MB 27	900.00
M 140 X 2	160	180	22	14	6	KM 28	MB 28	945.00
M 145 X 2	172	190	24	14	6	KM 29	MB 29	1044.00
M 150 X 2	171	195	24	14	6	KM 30	MB 30	1170.00
M 155 X 3	182	200	25	16	7	KM 31	MB 31	1305.00
M 160 X 3	182	210	25	16	7	KM 32	MB 32	1404.00
M 165 X 3	193	210	26	16	7	KM 33	MB 33	1548.00
M 170 X 3	193	220	26	16	7	KM 34	MB 34	1629.00
M 180 X 3	203	230	27	18	8	KM 36	MB 36	1764.00
M 190 X 3	214	240	28	18	8	KM 38	MB 38	1998.00
M 200 X 3	226	250	29	18	8	KM 40	MB 40	2385.00

## T- DUO Seals

Double acting complete piston with steel body integrated guide bonded with Nitrile Sealing lips used in light hydraulic or pneumatic applications.



## Bucket Seals / Cup Seals

Single acting lip seal for light application made from Nitrile polymer.



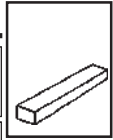
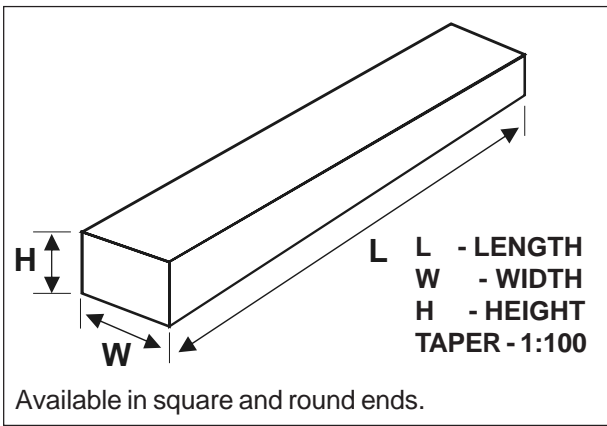
Gurudev Says :

A person who cannot love people starts loving objects.

Sri Sri Ravishankar



SHAFT KEYS

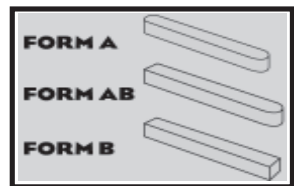


SIZE			PRICE PER NOS.
WIDTH	HEIGHT	LENGTH	
4	4	10	9.90
4	4	15	10.80
4	4	20	11.70
4	4	25	13.80
4	4	30	15.60
4	4	40	16.50
4	4	50	17.40
4	4	60	18.30
4	4	70	19.20
4	4	80	20.10
4	4	90	21.00
4	4	100	22.50
4	4	200	41.40
4	4	300	70.50
5	5	10	10.50
5	5	15	11.10
5	5	20	11.70
5	5	25	12.60
5	5	30	13.50
5	5	40	15.60
5	5	50	17.40
5	5	60	19.50
5	5	70	21.30
5	5	80	23.40
5	5	90	27.30
5	5	100	31.20
5	5	200	63.00
5	5	300	96.00
6	6	10	11.70
6	6	15	12.30
6	6	20	12.90
6	6	25	13.80
6	6	30	14.40
6	6	40	15.60
6	6	50	19.50
6	6	60	23.40
6	6	70	27.30
6	6	80	31.20
6	6	90	35.10
6	6	100	39.00
6	6	200	78.00
6	6	300	117.00
8	5	20	15.60
8	5	25	16.20
8	5	30	18.90
8	5	40	21.60
8	5	50	27.00

SIZE			PRICE PER NOS.
WIDTH	HEIGHT	LENGTH	
8	5	60	32.40
8	5	70	37.80
8	5	80	43.20
8	5	90	51.00
8	5	100	58.50
8	5	200	112.50
8	5	300	171.00
8	7	15	13.50
8	7	20	17.40
8	7	25	20.10
8	7	30	22.80
8	7	40	24.30
8	7	50	25.50
8	7	60	32.40
8	7	70	39.30
8	7	80	46.20
8	7	90	49.50
8	7	100	52.50
8	7	200	97.50
8	7	300	150.00
8	8	25	15.60
8	8	30	25.80
8	8	40	30.60
8	8	50	35.10
8	8	60	42.90
8	8	70	50.70
8	8	80	58.50
8	8	90	62.40
8	8	100	66.00
8	8	200	132.00
8	8	300	198.00
10	8	20	15.60
10	8	25	21.00
10	8	30	26.40
10	8	40	28.80
10	8	50	31.20
10	8	60	49.20
10	8	70	67.20
10	8	80	85.20
10	8	90	103.20
10	8	100	114.60
10	8	200	126.00
10	8	300	189.00
10	10	25	21.90
10	10	30	31.20
10	10	40	36.00
10	10	50	40.50

SIZE			PRICE PER NOS.
WIDTH	HEIGHT	LENGTH	
10	10	60	50.70
10	10	70	60.90
10	10	80	71.10
10	10	90	76.20
10	10	100	81.00
10	10	200	163.50
10	10	300	240.00
12	8	25	19.50
12	8	30	23.40
12	8	40	31.20
12	8	50	39.00
12	8	60	48.00
12	8	70	57.00
12	8	80	66.00
12	8	90	70.50
12	8	100	75.00
12	8	200	150.00
12	8	300	225.00
12	10	300	360.00
12	12	50	51.00
12	12	60	63.00
12	12	70	75.00
12	12	80	87.00
12	12	90	94.50
12	12	100	102.00
12	12	200	204.00
12	12	300	300.00
14	9	25	27.00
14	9	30	39.60
14	9	40	45.90
14	9	50	51.90
14	9	60	64.50
14	9	70	77.10
14	9	80	89.70
14	9	90	96.00
14	9	100	102.00
14	9	200	204.00
14	9	300	300.00
14	10	300	414.00
14	12	300	468.00
14	14	300	360.00
16	10	30	35.10
16	10	40	47.70
16	10	50	60.00
16	10	60	75.00
16	10	70	90.00
16	10	80	105.00
16	10	90	112.50
16	10	100	120.00
16	10	200	240.00
16	10	300	360.00
16	12	300	516.00
16	14	300	540.00
16	16	300	468.00
18	11	30	46.80
18	11	40	62.40
18	11	50	78.00
18	11	60	93.90
18	11	70	109.80
18	11	80	125.70
18	11	90	133.50
18	11	100	141.00
18	11	200	282.00

SIZE			PRICE PER NOS.
WIDTH	HEIGHT	LENGTH	
19	11	300	420.00
20	12	30	48.90
20	12	40	65.10
20	12	50	81.00
20	12	60	99.00
20	12	70	117.00
20	12	80	135.00
20	12	90	145.50
20	12	100	156.00
20	12	200	312.00
20	12	300	510.00
20	20	300	762.00
22	14	40	75.00
22	14	50	91.50
22	14	60	108.00
22	14	70	132.00
22	14	80	156.00
22	14	90	168.00
22	14	100	180.00
22	14	200	360.00
22	14	300	600.00
22	22	300	900.00
25	14	50	102.00
25	14	60	127.50
25	14	70	153.00
25	14	80	178.50
25	14	90	191.40
25	14	100	204.00
25	14	200	405.00
25	14	300	750.00
25	25	300	990.00
28	16	50	156.00
28	16	60	195.00
28	16	70	234.00
28	16	80	273.00
28	16	90	292.50
28	16	100	312.00
28	16	200	624.00
28	16	300	930.00
32	18	100	360.00
32	18	200	720.00
32	18	300	1080.00
36	20	100	450.00
36	20	200	900.00
36	20	300	1350.00
40	22	100	600.00
40	22	200	1200.00
40	22	300	1800.00
40	40	300	3000.00
45	25	100	825.00
45	25	200	1644.00
45	25	300	2460.00
50	28	100	1080.00
50	28	200	2115.00
50	28	300	3150.00
50	50	300	4575.00



Gurudev Says :

When there is love, there is no ego,  
ego dissolves like the dew drops with the sun.

Sri Sri Ravishankar

