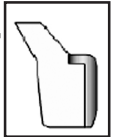


PU: DUST SEAL WITH METAL BACKUP

Features : Wiper seal is a single acting rod wiper with metal casing for open housing.

Material : Polyurethane. Metal casing Mild steel.

Properties :

Easy push fit installation, Very good wiping action, Wiper can be used for a broad temperature range, No pressure build-up between seal and wiper.

Application : Presses, fork lift & material handling equipments, Injection molding machines, Standard cylinders.

General Technical Data :

Temperature range: -10 to +110°C

Linear velocity 0.5 m/s.

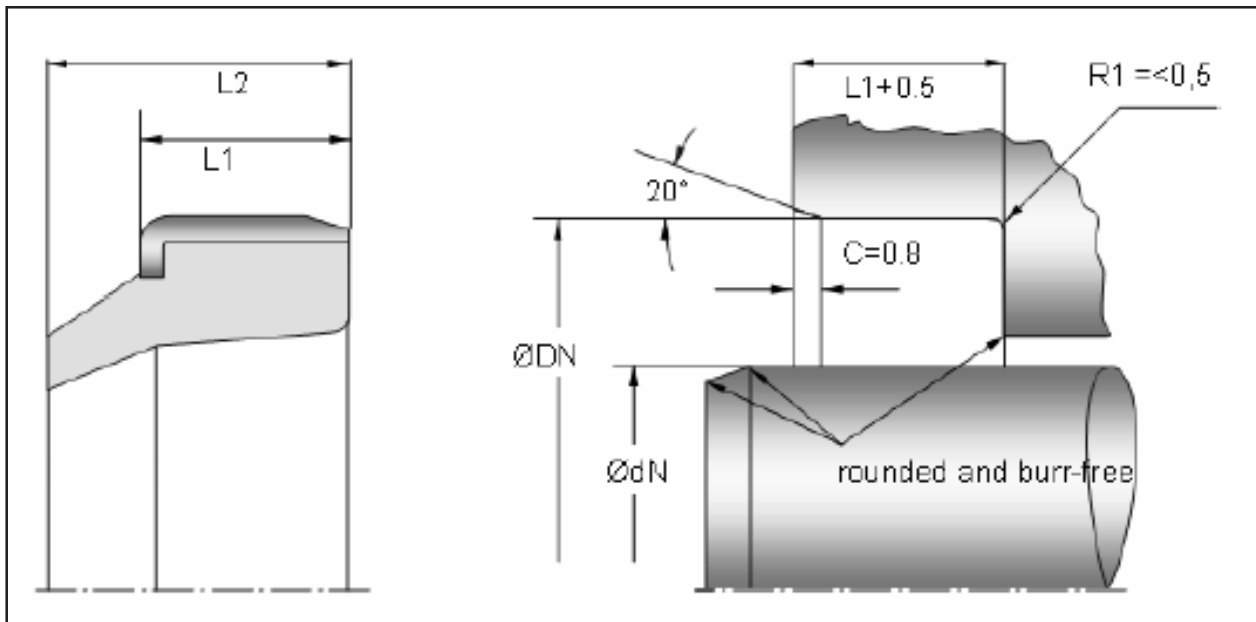
Surface Finishing :

Roughness depth R max R a

Sliding surface $\leq 2,5 \mu\text{m}$ 0,05-0,3 μm

Bottom of groove $\leq 6,3 \mu\text{m}$ $\leq 1,6 \mu\text{m}$

Sides of groove $\leq 15 \mu\text{m}$ $\leq 3 \mu\text{m}$



dN x DN x L1+0.2 / L2	PRICE PER NO.	dN x DN x L1+0.2 / L2	PRICE PER NO.	dN x DN x L1+0.2 / L2	PRICE PER NO.	dN x DN x L1+0.2 / L2	PRICE PER NO.
10 x 20 x 5 / 8	189.00	48 x 60 x 7 / 10	270.00	70 x 80 x 7 / 10	378.00	130 x 145 x 9 / 12	999.00
20 x 30 x 5 / 7	189.00	50 x 56 x 5 / 7	270.00	75 x 83 x 7 / 10	405.00	140 x 155 x 9 / 12	1,080.00
28 x 38 x 5 / 7	189.00	50 x 60 x 7 / 10	270.00	75 x 85 x 7 / 10	405.00	150 x 165 x 9 / 12	1,161.00
30 x 40 x 5 / 7	189.00	50 x 65 x 7 / 10	270.00	80 x 90 x 7 / 10	432.00	160 x 175 x 9 / 12	1,242.00
32 x 42 x 5 / 7	189.00	50 x 70 x 7 / 10	297.00	85 x 95 x 7 / 10	459.00	170 x 185 x 9 / 12	1,620.00
35 x 45 x 7 / 10	189.00	52 x 62 x 7 / 10	297.00	90 x 100 x 7 / 10	486.00	170 x 185 x 10 / 14	1,620.00
36 x 45 x 7 / 10	189.00	55 x 63 x 7 / 10	297.00	95 x 105 x 7 / 10	513.00	180 x 195 x 9 / 12	1,755.00
40 x 50 x 7 / 10	216.00	56 x 66 x 7 / 10	297.00	100 x 110 x 7 / 10	567.00	180 x 195 x 10 / 14	1,755.00
40 x 52 x 5 / 8	216.00	60 x 70 x 7 / 10	324.00	110 x 120 x 7 / 10	648.00	200 x 220 x 9 / 12	1,890.00
45 x 55 x 7 / 10	243.00	63 x 75 x 7 / 10	351.00	120 x 130 x 7 / 10	702.00	200 x 220 x 12 / 16	1,890.00
45 x 60 x 7 / 10	243.00	65 x 75 x 7 / 10	351.00	125 x 140 x 9 / 12	945.00	240 x 260 x 12 / 16	2,295.00

Note :

dN - means Inner Dia of the Dust Seal.

DN - means Outer Dia of the Dust Seal.

L1 / L2 - means Height (Thickness) of the Dust Seal.

Gurudev Says :

Be active, be dynamic, but not feverish about fulfilling desires.
That is the root cause of depression – underneath the depression is a lingering desire.

Sri Sri Ravishankar

PU: DUST SEAL WITH METAL BACKUP



Features : Wiper seal is a double acting rod wiper with metal casing for open housing.

Material : Polyurethane. Metal casing Mild steel

Properties :

Easy press fit installation in open housing with locking circlip, Very good wiping action, Wiper can be used for a broad temperature range with different materials, Sealing lips directed inwards gives both side wiping effect.

Application :

Presses, Fork lift & material handling equipments, Injection moulding machines, Standard cylinders, Mining & construction machineries.

General Technical Data :

Temperature range: -10 to 110°C

Linear velocity: 0.5 m/s.

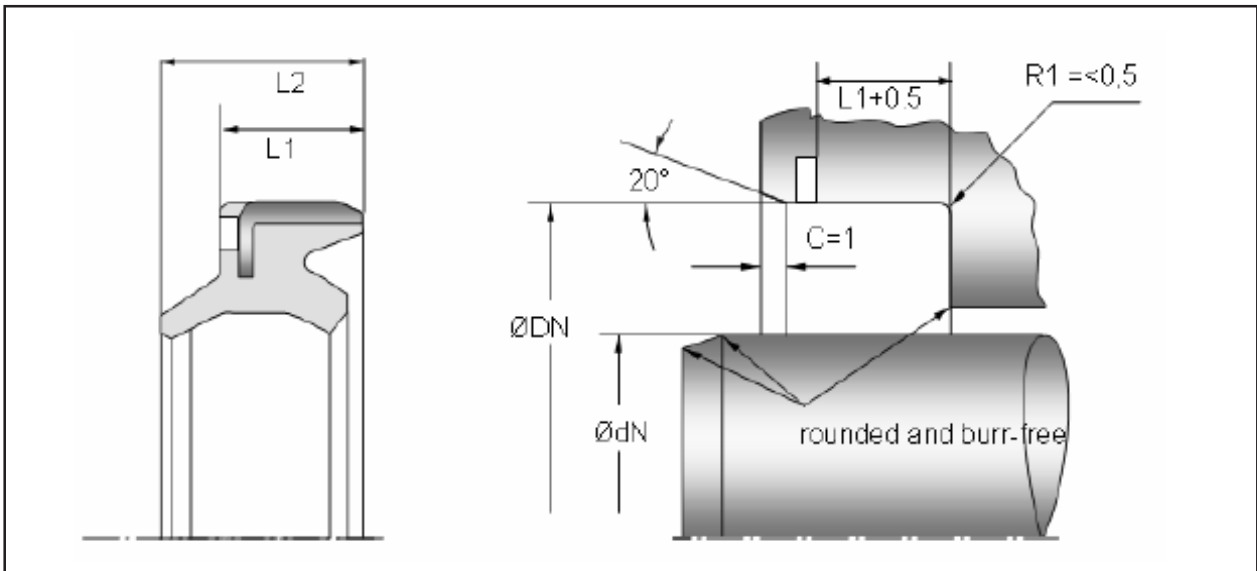
Surface Finishing :

Roughness depth R max R a

Sliding surface ≤ 2,5 µm 0,05-0,3 µm

Bottom of groove ≤ 6,3 µm ≤ 1,6 µm

Sides of groove ≤ 15 µm ≤ 3 µm



dN x DN x L1+0.2 / L2	PRICE PER NO.	dN x DN x L1+0.2 / L2	PRICE PER NO.	dN x DN x L1+0.2 / L2	PRICE PER NO.	dN x DN x L1+0.2 / L2	PRICE PER NO.
20 x 32 x 6 / 9	270.00	45 x 57 x 7 / 10	675.00	85 x 99 x 8 / 11	1,161.00	140 x 160 x 10 / 14	2,295.00
22 x 34 x 6 / 9	270.00	50 x 62 x 7 / 10	795.00	90 x 104 x 8 / 11	1,215.00	150 x 170 x 10 / 14	2,430.00
25 x 37 x 6 / 9	351.00	55 x 69 x 8 / 11	795.00	95 x 109 x 8 / 11	1,296.00	160 x 180 x 10 / 14	2,700.00
28 x 40 x 6 / 9	378.00	56 x 70 x 8 / 11	756.00	100 x 114 x 8 / 11	1,350.00	165 x 185 x 10 / 14	3,240.00
30 x 42 x 6 / 9	405.00	60 x 74 x 8 / 11	870.00	105 x 121 x 9 / 12	1,566.00	170 x 190 x 10 / 14	3,240.00
32 x 44 x 7 / 10	432.00	63 x 77 x 8 / 11	945.00	110 x 126 x 9 / 12	1,647.00	180 x 205 x 12 / 17	3,510.00
35 x 47 x 7 / 10	486.00	65 x 79 x 8 / 11	960.00	115 x 131 x 9 / 12	1,728.00	180 x 200 x 10 / 14	3,510.00
36 x 48 x 7 / 10	486.00	70 x 84 x 8 / 11	1,050.00	120 x 136 x 9 / 12	1,782.00	200 x 225 x 12 / 17	3,780.00
38 x 50 x 7 / 10	513.00	75 x 89 x 8 / 11	1,110.00	125 x 141 x 9 / 12	1,890.00	200 x 220 x 12 / 16	3,780.00
40 x 52 x 7 / 10	675.00	80 x 94 x 8 / 11	1,110.00	130 x 146 x 9 / 12	2,025.00	200 x 216 x 9 / 12	3,780.00

Note :

dN - means Inner Dia of the Dust Seal.

DN - means Outer Dia of the Dust Seal.

L1 / L 2 - means High (Thickness) of the Dust Seal.

Gurudev Says :

When there is Love, there is no ego; ego dissolves like the dew drops with the sun. let it be. If the ego is there, just embrace it, take it.

Sri Sri Ravishankar