



PU : DUST SEAL

Features :

Wiper seal is a single acting rod wiper for integral housing.

Composition :

Seal type PU

Material :

Polyurethane

Properties :

Easy snap in installation

Very good wiping action

Application :

Presses, Fork lift & material handling equipments, Injection molding machines, Standard cylinders.

General Technical Data :

Temperature range: -20 to 100°C

Linear velocity: 0.5 m/s.

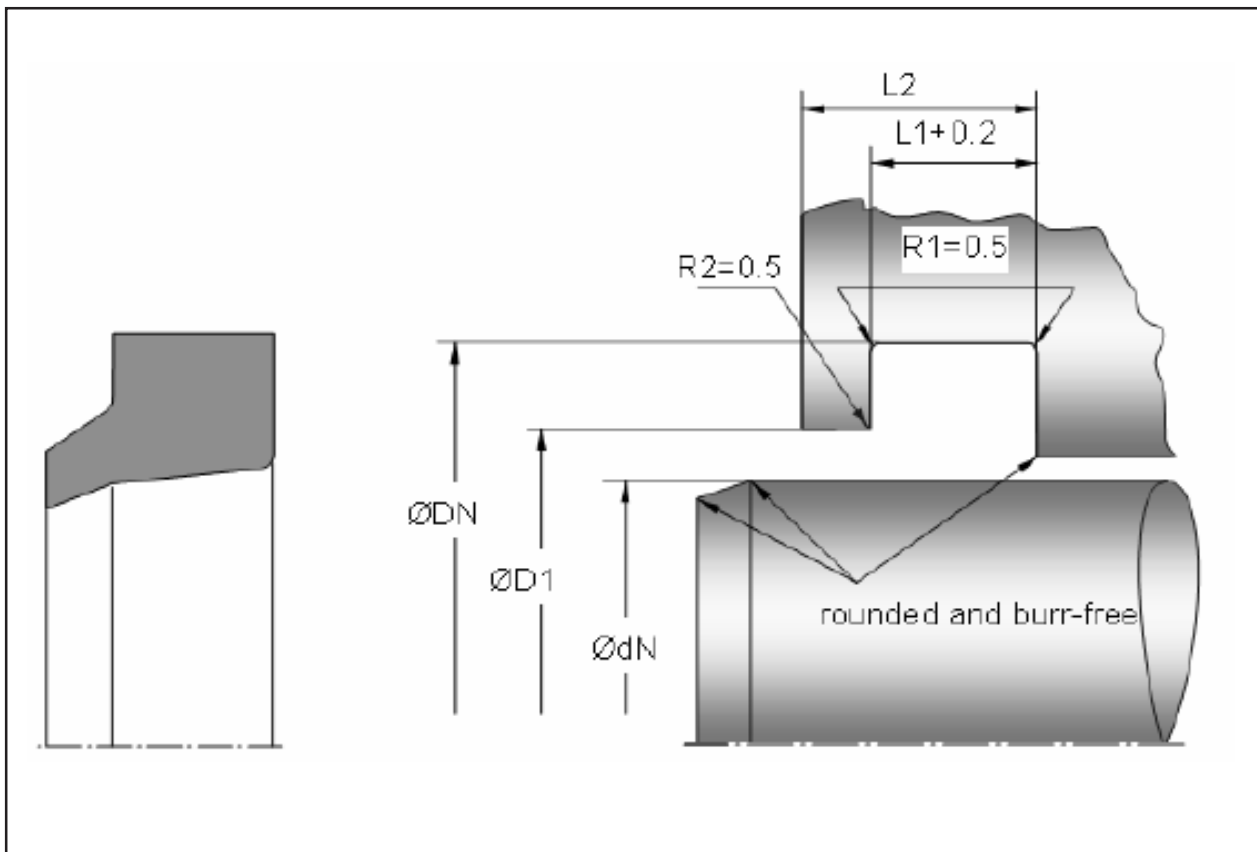
Surface Finishing :

Roughness depth R max R a

Sliding surface $\leq 2,5 \mu\text{m}$

Bottom of groove $\leq 6,3 \mu\text{m}$

Sides of groove $\leq 15 \mu\text{m}$



PU : DUST SEAL



| dN x DN x L1+0.2 / L2 | PRICE PER NO. | dN x DN x L1+0.2 / L2 | PRICE PER NO. | dN x DN x L1+0.2 / L2 | PRICE PER NO. | dN x DN x L1+0.2 / L2 | PRICE PER NO. |
|-----------------------|---------------|-----------------------|---------------|------------------------|---------------|-------------------------|---------------|
| 8 x 14.6 x 3.8 / 5.3 | 165.00 | 35 x 47 x 5.3 / 8.5 | 225.00 | 63 x 73 x 5 / 7 | 420.00 | 115 x 133 x 9 / 12 | 840.00 |
| 10 x 16.6 x 3.8 / 5.3 | 165.00 | 35 x 48 x 6 / 9 | 225.00 | 63 x 73 x 7 / 10 | 420.00 | 120 x 132.2 x 7.1 / 12 | 948.00 |
| 12 x 18 x 3 / 6 | 165.00 | 36 x 43.5 x 5 / 7 | 225.00 | 63 x 73.6 x 5.3 / 7 | 420.00 | 125 x 137.2 x 7.1 / 12 | 1,020.00 |
| 12 x 18.6 x 3.8 / 5.3 | 165.00 | 36 x 44 x 5 / 7 | 225.00 | 65 x 73.6 x 5.3 / 7 | 420.00 | 125 x 140 x 10 / 16 | 1,020.00 |
| 12 x 18.6 x 5 / 8 | 165.00 | 36 x 44.6 x 5.3 / 7 | 225.00 | 65 x 75 x 5 / 7 | 381.00 | 129 x 145 x 7 / 15 | 1,104.00 |
| 14 x 20.6 x 3.8 / 5.3 | 165.00 | 38 x 46 x 5 / 7 | 225.00 | 65 x 75 x 6 / 8 | 381.00 | 130 x 142.2 x 7.1 / 12 | 1,104.00 |
| 15 x 21 x 3.8 / 6 | 165.00 | 38 x 46.6 x 5.3 / 7 | 225.00 | 65 x 75.6 x 5.3 / 7 | 381.00 | 135 x 147 x 7 / 10 | 1,149.00 |
| 16 x 22.6 x 3.8 / 5.3 | 165.00 | 38.1 x 51 x 6 / 9 | 225.00 | 70 x 78.6 x 5.3 / 7 | 381.00 | 135 x 147.2 x 7.1 / 12 | 1,149.00 |
| 16 x 24 x 4 / 6 | 165.00 | 40 x 48 x 5 / 7 | 225.00 | 70 x 80 x 5 / 8 | 381.00 | 140 x 152.2 x 7.7 / 12 | 1,323.00 |
| 16 x 24 x 5 / 7 | 165.00 | 40 x 48.6 x 5.3 / 7 | 225.00 | 70 x 80 x 5.5 / 8 | 381.00 | 140 x 155 x 7.1 / 12 | 1,323.00 |
| 18 x 24.6 x 3.8 / 5.3 | 165.00 | 40 x 50 x 5 / 7 | 225.00 | 70 x 80.6 x 5.3 / 7 | 381.00 | 140 x 155 x 10.2 / 16 | 1,323.00 |
| 18 x 26 x 4 / 7 | 165.00 | 40 x 52 x 7 / 10 | 225.00 | 70 x 85 x 7 / 12 | 435.00 | 150 x 162.2 x 7.7 / 12 | 1,323.00 |
| 20 x 26 x 4 / 6 | 165.00 | 42 x 50 x 5 / 7 | 225.00 | 73 x 83 x 7 / 10 | 435.00 | 150 x 165 x 10.2 / 16 | 1,323.00 |
| 20 x 28 x 4.6 / 6 | 165.00 | 42 x 50.6 x 5.3 / 7 | 225.00 | 75 x 83.6 x 5.3 / 7 | 435.00 | 155 x 165.2 x 7.2 / 12 | 1,323.00 |
| 20 x 28.6 x 5.3 / 7 | 165.00 | 43 x 54 x 5.5 / 8 | 225.00 | 75 x 87.2 x 7.1 / 12 | 381.00 | 160 x 172 x 10 / 16 | 1,500.00 |
| 20 x 30 x 7 / 10 | 165.00 | 45 x 53 x 5 / 8 | 225.00 | 76 x 88 x 6 / 10 | 381.00 | 160 x 172.2 x 7.7 / 12 | 1,500.00 |
| 20 x 31 x 7 / 10 | 165.00 | 45 x 53.6 x 5.3 / 7 | 225.00 | 80 x 88.6 x 5.3 / 7 | 381.00 | 160 x 175 x 10.2 / 16 | 1,500.00 |
| 22 x 30.5 x 5.3 / 6.5 | 165.00 | 45 x 54 x 5 / 8 | 225.00 | 80 x 90 x 7 / 12 | 543.00 | 160 x 175.2 x 10.1 / 16 | 1,500.00 |
| 22 x 30.6 x 5.3 / 7 | 165.00 | 45 x 55 x 5.3 / 7 | 225.00 | 80 x 95 x 7 / 12 | 630.00 | 170 x 182.2 x 7.7 / 12 | 1,725.00 |
| 22 x 33 x 4 / 7 | 165.00 | 45 x 55.6 x 5.3 / 7 | 225.00 | 80 x 92.2 x 7.1 / 12 | 630.00 | 170 x 185.2 x 10.1 / 16 | 1,725.00 |
| 25 x 33 x 5 / 8 | 165.00 | 45 x 57 x 5.5 / 8 | 225.00 | 85 x 93.6 x 5.3 / 7 | 630.00 | 180 x 195.2 x 10.1 / 16 | 1,725.00 |
| 25 x 33.6 x 5.3 / 7 | 165.00 | 48 x 56 x 5 / 7 | 225.00 | 85 x 97 x 5.5 / 8 | 600.00 | 180 x 200 x 10.2 / 18 | 1,725.00 |
| 25 x 35 x 7 / 10 | 165.00 | 50 x 58 x 5 / 7 | 243.00 | 85 x 97.2 x 7.1 / 12 | 600.00 | 190 x 210 x 10.2 / 18 | 2,250.00 |
| 25 x 38 x 4 / 7 | 165.00 | 50 x 58 x 6.5 / 10 | 243.00 | 85 x 98 x 7.5 / 11.5 | 600.00 | 200 x 215 x 8 / 9.5 | 2,250.00 |
| 25.4 x 37 x 3 / 10 | 165.00 | 50 x 58.6 x 5.3 / 7 | 243.00 | 90 x 98.6 x 5.3 / 7 | 600.00 | 200 x 220 x 9 / 15 | 2,400.00 |
| 28 x 36 x 5 / 7 | 165.00 | 50 x 60 x 5 / 7 | 297.00 | 90 x 100 x 5 / 7 | 678.00 | 200 x 220 x 10.2 / 18 | 2,400.00 |
| 28 x 36 x 6 / 8 | 165.00 | 50 x 60.6 x 5.3 / 7 | 297.00 | 90 x 100 x 7 / 13 | 678.00 | 200 x 220.2 x 10.2 / 16 | 2,400.00 |
| 28 x 36.6 x 5.3 / 6.5 | 165.00 | 52 x 60 x 5 / 7 | 297.00 | 90 x 101 x 12.2 | 678.00 | 205 x 220 x 10 / 14 | 2,550.00 |
| 28 x 36.6 x 5.3 / 7 | 165.00 | 53 x 64 x 5.5 / 8 | 330.00 | 90 x 102 x 3 / 8 | 678.00 | 210 x 230 x 10.2 / 18 | 2,550.00 |
| 28 x 40 x 5 / 9 | 165.00 | 55 x 63 x 5 / 7 | 330.00 | 90 x 102.2 x 7.1 / 12 | 678.00 | 220 x 235 x 10 / 16 | 2,700.00 |
| 30 x 38 x 5 / 7 | 165.00 | 55 x 63.6 x 5.3 / 7 | 330.00 | 90 x 105 x 5 / 7 | 678.00 | 220 x 240 x 10.2 / 18 | 3,405.00 |
| 30 x 38.6 x 5.3 / 7 | 165.00 | 55 x 65.6 x 5.3 / 7 | 330.00 | 90 x 105 x 6 / 13 | 678.00 | 230 x 245 x 8 / 14 | 3,405.00 |
| 32 x 40 x 5 / 7 | 225.00 | 55 x 66 x 6 / 8 | 330.00 | 90 x 105 x 7 / 12 | 678.00 | 230 x 250 x 10.2 / 18 | 3,900.00 |
| 32 x 40.6 x 5.3 / 7 | 225.00 | 56 x 64.6 x 5.3 / 7 | 330.00 | 95 x 107 x 7 / 12 | 678.00 | 240 x 260 x 10.2 / 18 | 3,900.00 |
| 32 x 44.45 x 7 / 10 | 225.00 | 56 x 66 x 5 / 7 | 330.00 | 100 x 112.2 x 7.1 / 12 | 795.00 | 250 x 270 x 10.2 / 18 | 3,900.00 |
| 32 x 48 x 7 / 11 | 225.00 | 56 x 66.6 x 5.3 / 7 | 330.00 | 100 x 115 x 9.5 / 12 | 795.00 | 260 x 280 x 10.2 / 18 | 3,900.00 |
| 35 x 43 x 5 / 7 | 225.00 | 60 x 68.6 x 5.3 / 7 | 375.00 | 105 x 117 x 7 / 10 | 720.00 | 270 x 290 x 10.2 / 18 | 3,900.00 |
| 35 x 43.6 x 5.3 / 6.5 | 225.00 | 60 x 70 x 5 / 8 | 375.00 | 106 x 117 x 5.5 / 8 | 795.00 | 280 x 300 x 10 / 16 | 3,900.00 |
| 35 x 43.6 x 5.3 / 7 | 225.00 | 60 x 70 x 6 / 8 | 375.00 | 106 x 128 x 7 / 10 | 795.00 | 280 x 300 x 10.2 / 18 | 3,900.00 |
| 35 x 45 x 3.5 / 4 | 225.00 | 60 x 70.6 x 5.3 / 7 | 375.00 | 110 x 122.2 x 7.1 / 12 | 840.00 | 290 x 304 x 7 / 12 | 4,050.00 |
| 35 x 45 x 5 / 8 | 225.00 | 60 x 72 x 5.5 / 8 | 405.00 | 115 x 127.2 x 7.1 / 12 | 840.00 | 290 x 310 x 12.5 / 18 | 4,200.00 |
| 35 x 47 x 5 / 7 | 225.00 | 63 x 71.6 x 5.3 / 7 | 420.00 | 115 x 133 x 7 / 12 | 840.00 | 300 x 320 x 10.2 / 18 | 4,200.00 |

Note: -
dN - means Inner Dia of the Dust Seal.
DN - means Outer Dia of the Dust Seal.
L 1 / L 2 - means Hight (Thickness) of the Dust Seal.

**All these divisions of country and religion are man-made;
they are not made by the existence, by the spirit.**

A bird knows no boundaries.

A bird doesn't need a visa or a passport to migrate from Russia to America.

It doesn't differentiate whether it is coming to a rich country or a poor country.

Cross all these barriers; go beyond; that is truth.

Sri Sri Ravishankar

Gurudev Says :

**The purpose of answer is to bring a smile to your face.
If it brings a frown, it is no answer. The purpose of all answers is to bring a "yes" in you.**

Sri Sri Ravishankar



PU : DUST SEAL

Features : Wiper seal is a double acting rod wiper for integral housing.

Material : Polyurethane

Properties :

Easy snap in installation, Very good wiping action, Highly abrasion resistance, Sealing lips directed inwards fulfill the U-packing function.

Application :

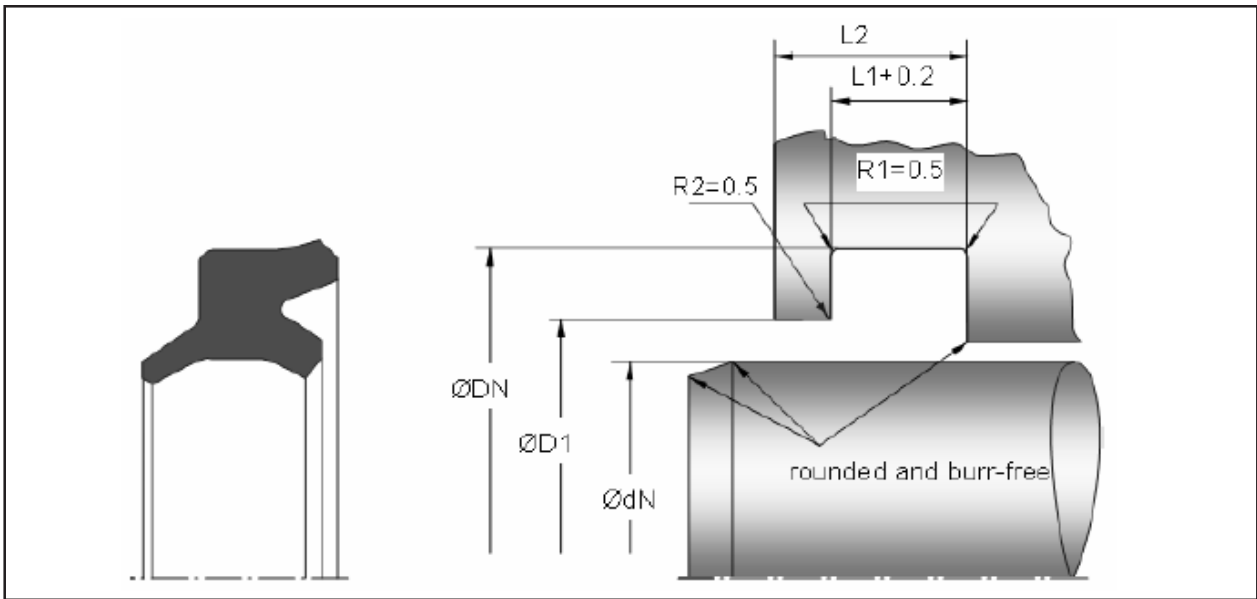
Presses, fork lift & material handling equipments, Injection molding machines, Standard cylinders.

General Technical Data :

Linear velocity: 0.5 m/s.
 Temperature Range: -20° C to +100° C
 Surface Speed (Max.) 0.5 m/s.

Surface Finishing :

Roughness depth R max R a
 Sliding surface ≤ 2,5 µm 0,05-0,3 µm
 Bottom of groove ≤ 6,3 µm ≤ 1,6 µm
 Sides of groove ≤ 15 µm ≤ 3 µm



| dN x DN x L1+0.2 / L2 | PRICE PER NO. | dN x DN x L1+0.2 / L2 | PRICE PER NO. | dN x DN x L1+0.2 / L2 | PRICE PER NO. | dN x DN x L1+0.2 / L2 | PRICE PER NO. |
|-----------------------|---------------|-----------------------|---------------|-----------------------|---------------|-----------------------|---------------|
| 11 x 18 x 3 / 5 | 195.00 | 28 x 36 x 5 / 8 | 108.00 | 50 x 60 x 5 / 7 | 300.00 | 90 x 100 x 6 | 681.00 |
| 12 x 18 x 4 / 7 | 108.00 | 30 x 38 x 5 | 216.00 | 50 x 62 x 5 / 7 | 300.00 | 90 x 100 x 6 / 9 | 324.00 |
| 14 x 20 x 4 / 7 | 108.00 | 30 x 38 x 5 / 8 | 108.00 | 55 x 63 x 5.3 / 6 | 300.00 | 95 x 104 x 5 | 636.00 |
| 16 x 22 x 4 / 7 | 108.00 | 31 x 40 x 5 | 225.00 | 55 x 65 x 6 / 9 | 189.00 | 99 x 110 x 5.3 | 636.00 |
| 16 x 23 x 3 / 5 | 195.00 | 32 x 40 x 5 | 225.00 | 56 x 65 x 5 / 8 | 315.00 | 100 x 110 x 6 | 702.00 |
| 16 x 24 x 3 / 4.5 | 195.00 | 32 x 40 x 5 / 8 | 108.00 | 56 x 66 x 6 / 9 | 189.00 | 100 x 110 x 6 / 9 | 405.00 |
| 16 x 24 x 4.5 / 6 | 195.00 | 35 x 43 x 5 / 8 | 225.00 | 60 x 68.6 x 5.3 / 6.5 | 315.00 | 110 x 125 x 8.5 / 12 | 1,080.00 |
| 18 x 24 x 4 / 7 | 108.00 | 35 x 43 x 5 | 225.00 | 60 x 70 x 6 | 381.00 | 115 x 124 x 5 | 900.00 |
| 18 x 26 x 5 / 6 | 195.00 | 36 x 44 x 5 | 240.00 | 60 x 70 x 6 / 9 | 216.00 | 119 x 130 x 5.3 | 900.00 |
| 19 x 29 x 5 | 195.00 | 36 x 44 x 5 / 8 | 135.00 | 63 x 73 x 6 | 381.00 | 120 x 135 x 8.5 / 12 | 1,350.00 |
| 20 x 26 x 4 | 195.00 | 38 x 46 x 5 | 270.00 | 63 x 73 x 6 / 9 | 216.00 | 125 x 140 x 8.5 / 12 | 1,350.00 |
| 20 x 26 x 4 / 7 | 108.00 | 40 x 48 x 5 | 270.00 | 70 x 80 x 6 / 8 | 381.00 | 135 x 144 x 5 | 1,149.00 |
| 20 x 28 x 5.5 / 8 | 195.00 | 40 x 48 x 5 / 8 | 135.00 | 70 x 80 x 6 / 9 | 243.00 | 139 x 150 x 5.3 | 1,149.00 |
| 22 x 28 x 4 | 195.00 | 40 x 48 x 9 / 12 | 270.00 | 75 x 85 x 6 | 426.00 | 140 x 155 x 8.5 / 12 | 1,620.00 |
| 22 x 28 x 4 / 7 | 108.00 | 42 x 54.5 x 6 / 7.5 | 270.00 | 75 x 85 x 6 / 9 | 243.00 | 160 x 175 x 8.5 / 12 | 1,890.00 |
| 25 x 31 x 4 | 195.00 | 45 x 53 x 5 | 270.00 | 79 x 90 x 6 | 426.00 | 170 x 185 x 8.5 / 12 | 2,160.00 |
| 25 x 31 x 4 / 7 | 108.00 | 45 x 53 x 5 / 8 | 162.00 | 80 x 90 x 6 | 426.00 | 180 x 195 x 8.5 / 12 | 2,430.00 |
| 25 x 33 x 5 | 195.00 | 45 x 55 x 5 / 7 | 300.00 | 80 x 90 x 6 / 9 | 270.00 | 200 x 215 x 8.5 / 12 | 2,700.00 |
| 25 x 33 x 5.5 | 195.00 | 50 x 58 x 5 / 7 | 300.00 | 85 x 95 x 6 | 585.00 | | |
| 28 x 36 x 4.5 / 6 | 198.00 | 50 x 58 x 5 / 8 | 162.00 | 85 x 95 x 6 / 9 | 324.00 | | |

Note : dN - means Inner Dia of the Dust Seal. DN - means Outer Dia of the Dust Seal.
 L1 / L2 - means Height (Thickness) of the Dust Seal.

Gurudev Says : A peacock fans its feathers. A bird sings a melodious song. Flowers blossom and attract bees.
 The entire realm of reproduction is an action sparked by beauty.

Sri Sri Ravishankar

PU : DUST SEAL



Features : Wiper seal is a single acting rod wiper for integral housing.

Material : Polyurethane.

Properties : Easy snap in installation, Very good wiping action.

Application :

Presses, fork lift & material handling equipments, Injection molding machines, Standard cylinders.

General Technical Data:

Temperature range: -10 to 110°C

Linear velocity: 0.5 m/s.

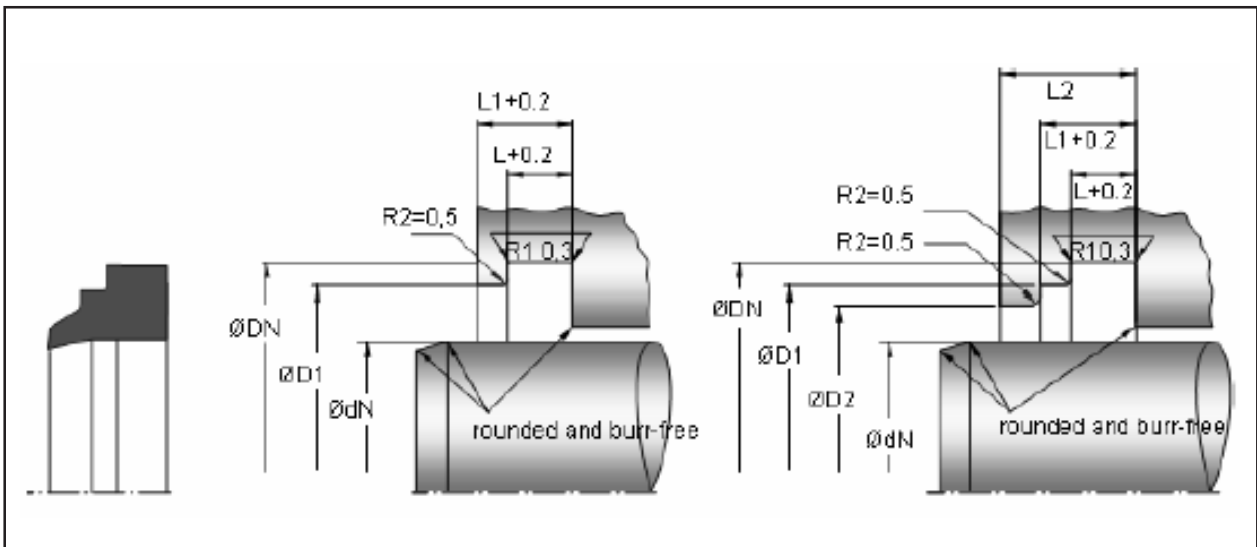
Surface Finishing:

Roughness depth R max R a

Sliding surface ≤ 2,5 μm 0,05-0,3 μm

Bottom of groove ≤ 6,3 μm ≤ 1,6 μm

Sides of groove ≤ 15 μm ≤ 3 μm



| dNxDNxL+0.2/L+0.2/L2 | PRICE PER NO. | dNxDNxL+0.2/L+0.2/L2 | PRICE PER NO. | dNxDNxL+0.2/L+0.2/L2 | PRICE PER NO. | dNxDNxL+0.2/L+0.2/L2 | PRICE PER NO. |
|----------------------|---------------|----------------------|---------------|--------------------------|---------------|--------------------------|---------------|
| 10 x 18 x 4 / 5 / 7 | 195.00 | 42 x 50 x 4 / 5 / 7 | 270.00 | 80 x 92 x 5.5 / 10 | 426.00 | 150 x 162 x 5.5 / 7 / 10 | 1,275.00 |
| 12 x 20 x 4 / 5 / 7 | 195.00 | 45 x 53 x 4 / 5 / 7 | 270.00 | 85 x 93 x 4 / 5 / 7 | 510.00 | 155 x 175 x 10 / 18 | 1,350.00 |
| 14 x 22 x 4 / 5 / 7 | 195.00 | 48 x 56 x 4 / 7 | 276.00 | 90 x 98 x 4 / 5 / 7 | 681.00 | 160 x 172 x 5.5 / 7 / 10 | 1,500.00 |
| 15 x 23 x 4 / 5 / 7 | 195.00 | 50 x 58 x 4 / 5 / 7 | 282.00 | 95 x 103 x 4 / 7 | 681.00 | 165 x 180 x 10 / 16 | 1,575.00 |
| 16 x 24 x 4 / 5 / 7 | 195.00 | 50 x 62 x 5.5 / 10 | 282.00 | 97 x 105 x 4 / 7 | 690.00 | 166 x 178 x 5.5 / 10 | 1,650.00 |
| 18 x 26 x 4 / 5 / 7 | 195.00 | 55 x 63 x 4 / 5 / 7 | 300.00 | 100 x 108 x 4 / 5 / 7 | 702.00 | 170 x 182 x 5.5 / 7 / 10 | 1,725.00 |
| 20 x 28 x 4 / 5 / 7 | 195.00 | 56 x 64 x 4 / 5 / 7 | 300.00 | 105 x 117 x 5.5 / 7 / 10 | 804.00 | 175 x 190 x 10 / 16 | 1,800.00 |
| 22 x 30 x 4 / 5 / 7 | 195.00 | 60 x 68 x 4 / 5 / 7 | 315.00 | 110 x 122 x 5.5 / 7 / 10 | 900.00 | 180 x 192 x 5.5 / 7 / 10 | 2,100.00 |
| 25 x 33 x 4 / 5 / 7 | 195.00 | 62 x 70 x 4 / 7 | 351.00 | 115 x 127 x 5.5 / 7 / 10 | 948.00 | 185 x 200 x 10 / 16 | 2,100.00 |
| 28 x 36 x 4 / 5 / 7 | 198.00 | 63 x 71 x 4 / 5 / 7 | 351.00 | 120 x 132 x 5.5 / 7 / 10 | 948.00 | 190 x 202 x 5.5 / 7 / 10 | 2,400.00 |
| 30 x 38 x 4 / 5 / 7 | 216.00 | 65 x 73 x 4 / 7 | 351.00 | 125 x 137 x 5.5 / 7 / 10 | 1,020.00 | 190 x 210 x 10 / 18 | 2,400.00 |
| 32 x 40 x 4 / 5 / 7 | 225.00 | 70 x 78 x 4 / 5 / 7 | 366.00 | 128 x 140 x 5.5 / 10 | 1,050.00 | 200 x 212 x 5.5 / 7 / 10 | 3,540.00 |
| 35 x 43 x 4 / 5 / 7 | 225.00 | 70 x 82 x 5.5 / 10 | 366.00 | 130 x 142 x 5.5 / 7 / 10 | 1,104.00 | 210 x 222 x 5.5 / 10 | 3,540.00 |
| 36 x 44 x 4 / 5 / 7 | 240.00 | 75 x 83 x 4 / 5 / 7 | 381.00 | 135 x 147 x 5.5 / 7 / 10 | 1,191.00 | 260 x 280 x 10 / 18 | 3,540.00 |
| 38 x 46 x 4 / 5 / 7 | 249.00 | 78 x 86 x 4 / 7 | 405.00 | 140 x 152 x 5.5 / 7 / 10 | 1,191.00 | 310 x 330 x 10 / 18 | 4,200.00 |
| 40 x 48 x 4 / 5 / 7 | 255.00 | 80 x 88 x 4 / 5 / 7 | 426.00 | 145 x 157 x 5.5 / 10 | 1,200.00 | | |

Note :

dN - means Inner Dia of the Dust Seal.

DN - means Outer Dia of the Dust Seal.

L/L 2 - means Height (Thickness) of the Dust Seal.

Gurudev Says :

There is no Divinity without beauty – there simply cannot be.
Divinity is nothing but energy, Divine energy – the expression of beauty.

Sri Sri Ravishankar



PU : DUST SEAL

Features : Wiper seal is a double acting rod wiper for integral housing.

Composition : Seal type U

Material : Polyurethane.

Properties : Easy snap in installation, Very good wiping action.

Application : Presses, fork lift & material handling equipments, Injection molding machines, Standard cylinders. The double lip wiper is preferably fitted in combination with rod seal. We recommend in any case a pressure release hole be provided in front of the double lip wiper in order to avoid pressure build-up between seal and wiper.

General Technical Data :

Temperature range: U -20 to 100°C

Linear velocity: 0.5 m/s.

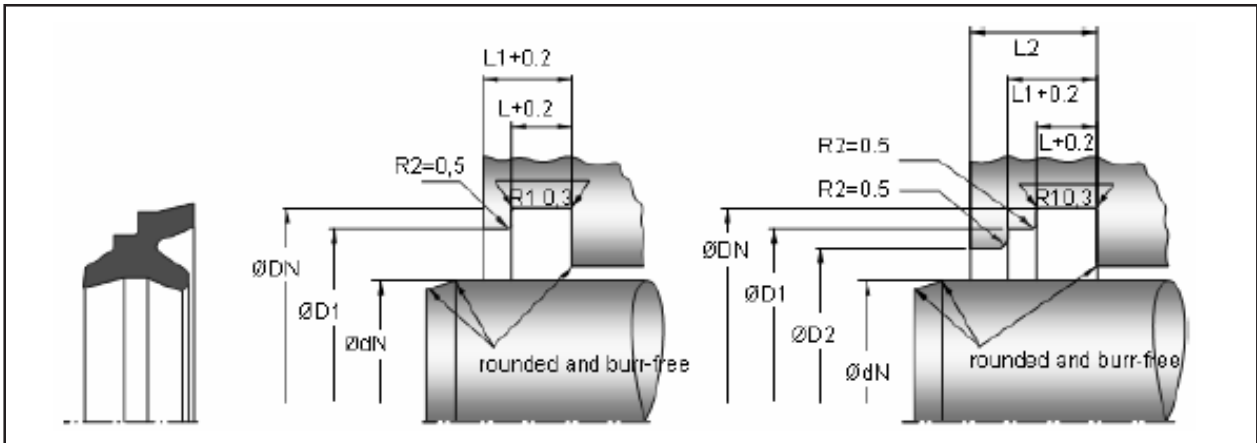
Surface Finishing :

Roughness depth R max R a

Sliding surface ≤ 2,5

Bottom of groove ≤ 6,3 μm

Sides of groove ≤ 15 μm



| dNxDN x L+0.2/L1+0.2/L2 | PRICE PER NO. | dNxDN x L+0.2/L1+0.2/L2 | PRICE PER NO. | dNxDN x L+0.2/L1+0.2/L2 | PRICE PER NO. | dNxDN x L+0.2/L1+0.2/L2 | PRICE PER NO. |
|-------------------------|---------------|------------------------------|---------------|------------------------------|---------------|------------------------------|---------------|
| 10 x 18 x 4 / 6 / 8 | 195.00 | 42 x 50 x 4 / 6 / 8 | 270.00 | 110 x 117 x 8.2 | 840.00 | 220 x 235 x 13 | 2,475.00 |
| 12 x 20 x 4 / 6 / 8 | 195.00 | 45 x 53 x 4 / 6 / 8 | 270.00 | 110 x 122 x 5.5 / 8.2 / 11.1 | 1,614.00 | 225 x 240 x 9.5 / 12.5 | 3,405.00 |
| 14 x 22 x 4 / 6 / 8 | 195.00 | 50 x 58 x 4 / 6 / 8 | 282.00 | 115 x 127 x 5.5 / 8.2 / 11.1 | 900.00 | 230 x 245 x 6.5 / 9.5 / 12.5 | 3,405.00 |
| 15 x 23 x 4 / 6 / 8 | 195.00 | 55 x 63 x 4 / 6 / 8 | 300.00 | 120 x 132 x 5.5 / 8.2 / 11.1 | 948.00 | 240 x 255 x 6.5 / 9.5 / 12.5 | 3,510.00 |
| 16 x 24 x 4 / 6 / 8 | 195.00 | 56 x 64 x 4 / 6 / 8 | 135.00 | 125 x 137 x 5.5 / 8.2 / 11.1 | 1,020.00 | 250 x 265 x 6.5 / 9.5 / 12.5 | 3,510.00 |
| 18 x 26 x 4 / 6 / 8 | 195.00 | 60 x 68 x 4 / 6 / 8 | 315.00 | 130 x 142 x 5.5 / 8.2 / 11.1 | 1,104.00 | 260 x 275 x 6.5 / 9.5 / 12.5 | 3,540.00 |
| 19 x 28 x 6 | 195.00 | 63 x 71 x 4 / 6 / 8 | 351.00 | 135 x 147 x 5.5 / 8.2 / 11.1 | 1,149.00 | 270 x 285 x 6.5 / 9.5 / 12.5 | 4,200.00 |
| 20 x 28 x 4 / 6 / 8 | 195.00 | 65 x 73 x 4 / 6 / 8 | 351.00 | 140 x 152 x 5.5 / 8.2 / 11.1 | 1,191.00 | 280 x 295 x 6.5 / 9.5 / 12.5 | 4,200.00 |
| 22 x 30 x 4 / 6 / 8 | 195.00 | 68 x 76 x 4 / 6 / 8 | 366.00 | 150 x 162 x 5.5 / 8.2 / 11.1 | 1,275.00 | 300 x 315 x 6.5 / 9.5 / 12.5 | 4,200.00 |
| 25 x 33 x 4 / 6 / 8 | 195.00 | 70 x 78 x 4 / 6 / 8 | 366.00 | 160 x 172 x 5.5 / 8.2 / 11.1 | 1,500.00 | 300 x 320 x 10.5 / 17 | 4,200.00 |
| 28 x 36 x 4 / 6 / 8 | 198.00 | 75 x 83 x 4 / 6 / 8 | 381.00 | 170 x 182 x 5.5 / 8.2 / 11.1 | 1,725.00 | 320 x 335 x 6.5 / 9.5 / 12.5 | 4,680.00 |
| 30 x 38 x 4 / 6 / 8 | 216.00 | 80 x 88 x 4 / 6 / 8 | 426.00 | 180 x 192 x 5.5 / 8.2 / 11.1 | 1,950.00 | 350 x 365 x 6.5 / 9.5 / 13 | 4,680.00 |
| 32 x 40 x 4 / 6 / 8 | 225.00 | 85 x 93 x 4 / 6 / 8 | 510.00 | 190 x 202 x 5.5 / 8.2 / 11.1 | 2,400.00 | 360 x 375 x 9.5 / 12.5 | 5,880.00 |
| 35 x 43 x 4 / 6 / 8 | 225.00 | 90 x 98 x 4 / 6 / 8 | 681.00 | 200 x 212 x 5.5 / 8.2 / 11.1 | 2,400.00 | 380 x 395 x 9.5 / 12 | 5,880.00 |
| 36 x 44 x 4 / 6 / 8 | 240.00 | 95 x 103 x 6 / 8 | 636.00 | 210 x 225 x 8.2 / 11.1 | 2,460.00 | 400 x 415 x 9.5 / 12.5 | P.O.R. |
| 38 x 46 x 4 / 6 / 8 | 249.00 | 100 x 108 x 4 / 6 / 8 | 702.00 | 210 x 225 x 6.5 / 9.5 / 12.5 | 2,460.00 | | |
| 40 x 48 x 4 / 6 / 8 | 255.00 | 105 x 117 x 5.5 / 8.2 / 11.1 | 804.00 | 220 x 235 x 6.5 / 9.5 / 12.5 | 2,475.00 | | |

Note: -

P.O.R. means prices available on request.

dN - means Inner Dia of the Dust Seal.

DN - means Outer Dia of the Dust Seal.

L / L1 / L2 - means Height (Thickness) of the Dust Seal.

Gurudev Says :

The seer, the seen and the process of seeing all merge.

The knowledge, the knower, and the known, they all merge, become one – that is Divine. Love.

Sri Sri Ravishankar