

D' SEAL / FLUID SEAL FOR HYDRAULIC APPLICATION

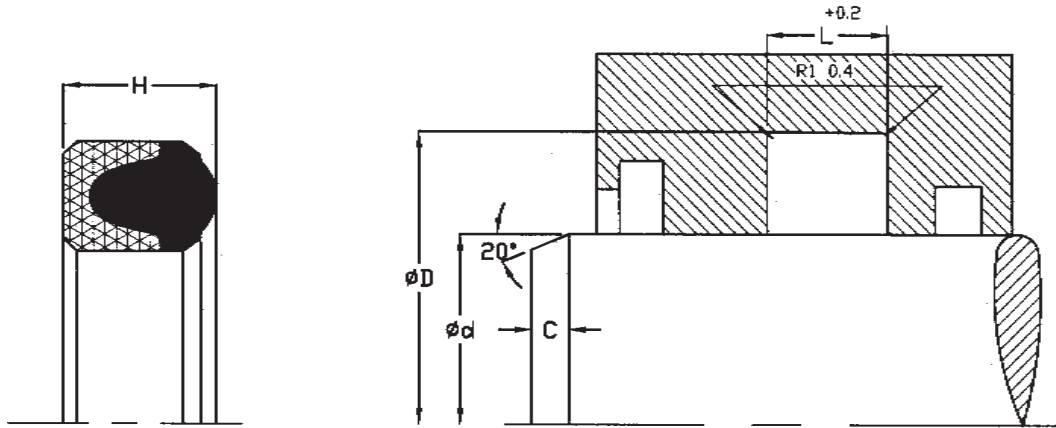


MATERIAL : NITRILE RUBBER .ONE PART IN RUBBER AND HEAD SET IN FABRIC RAINFORCED RUBBER
HARDNESS : 70 SHORE A
PROPERTIES : VERY COMPACT ROD SEAL SUITABLE FOR ISO 5597 DESIGNS.SIMPLE ASSEMBLY. EXCELLENT SEALING EVEN IN LOW PRESSURE AREA. LOW FRICTION THROUGH THE FABRIC PART.
OPERATING LIMITS :
PRESSURE : 10 Mpa
 HYDRAULIC OILS : HL/HLP : -30 °C TO +100 °C LINEAR VELOCITY : 0.5 m/s
 HFA,HFB FLUIDS : +5 °C TO +60 °C
 HFC FLUIDS : -30 °C TO +60 °C WATER : +5 °C TO +100 °C
 HETG (RAPESEED OIL) : -30 °C TO +80 °C HEES (SYNTHETIC ESTER) : -30 °C TO +80 °C
 HEPG (GLYCOL) : -30 °C TO +60 °C MINERAL GREASES : -30 °C TO +100 °C

PROFILE DIMENSION	MAXIMUM PERMISSIBLE GAP DIMENSION	
	16 Mpa	25 Mpa
≤ 6	0.2	0.1
> 6-10	0.2	0.1
> 10-15	0.2	0.1

RECOMMENDED TOLERANCE DIMENSIONS (D2)		
NOMINAL DIAMETER (d)	d	D
≤ 80	f8	H11
> 80-120	f8	H11
> 120-240	f7	H11

GAP DIMENSION : THE LARGEST GAP DIMENSION APPEARING IN OPERATION ON THE NON-PRESSURISED SIDE OF THE SEAL DECISIVE FOR SEALING FUNCTION



SIZES IN MM, MATERIAL NBR+CANVAS

SIZE I.D. X O.D. X TH.	PRICE PER NO.	SIZE I.D. X O.D. X TH.	PRICE PER NO.	SIZE I.D. X O.D. X TH.	PRICE PER NO.	SIZE I.D. X O.D. X TH.	PRICE PER NO.
7 x 16 x 6	43.50	32 x 45 x 8	77.70	50.8 x 69.85 x 10.6	155.10	100 x 115 x 12	225.90
7.5 x 19 x 10	49.20	32 x 50 x 12.4	136.20	53.97 x 63.5 x 6.35	75.00	100 x 120 x 13.5	343.20
12.5 x 22 x 9.5	49.50	34 x 43 x 6.5	66.90	55 x 74 x 12	170.70	101.6 x 127 x 19.05	555.30
15.5 x 28.7 x 9	69.30	35 x 42.5 x 7	52.50	56 x 70 x 8	110.10	105 x 130 x 15.5	441.60
15.87 x 28.57 x 9.52	69.60	35 x 48.5 x 10	101.10	56 x 70 x 12	145.20	110 x 125 x 11	226.20
18 x 28 x 8	51.30	35 x 50 x 10	105.90	57.15 x 76.2 x 12.7	179.70	110 x 130 x 12	337.50
19.05 x 31.75 x 9.5	72.00	36 x 50 x 8	96.00	59 x 77 x 10	155.40	112 x 125 x 12	220.80
20 x 28 x 6	46.80	36 x 50 x 12	111.00	60 x 80 x 12	183.90	116.5 x 136 x 12.5	349.80
20 x 32 x 8	68.40	38 x 50 x 7	75.90	63 x 75 x 12	141.00	127 x 152.4 x 19.05	578.70
22 x 32 x 10	69.60	38 x 50 x 10	99.00	63.5 x 82.55 x 11.9	182.40	127 x 152.4 x 20.32	606.90
22 x 38 x 9.6	94.80	38 x 52 x 12	113.10	65 x 80 x 8	133.50	130 x 150 x 12	367.50
22.22 x 34.92 x 9.52	74.50	38 x 54 x 8	102.60	65 x 80 x 11.5	157.20	132 x 157 x 15.5	559.50
25 x 38 x 9.5	77.10	38.1 x 47.62 x 6.35	69.00	65 x 80 x 12	160.50	134 x 150 x 12	327.90
25 x 38 x 10	78.30	38.1 x 57.15 x 12.7	150.90	69.85 x 88.9 x 17.46	270.00	140 x 160 x 12	382.20
25 x 38.5 x 11.5	96.90	40 x 48 x 6	52.80	70 x 85 x 12	166.20	150 x 170 x 12	397.20
25 x 40 x 8	77.10	40 x 56 x 8	104.40	72 x 85 x 12	155.40	160 x 180 x 12	412.20
25 x 40 x 10	96.30	41 x 51 x 10	94.80	73 x 93 x 12	229.50	170 x 200 x 19	919.80
25 x 44 x 9.5	104.70	44.45 x 57.15 x 7.93	97.80	76 x 95 x 15	257.10	180 x 200 x 12	494.70
25.4 x 38.25 x 9.6	77.40	44.45 x 63 x 12	153.60	76.2 x 88.9 x 12.7	162.00	198 x 228 x 15	860.10
25.58 x 35.5 x 7	52.80	44.45 x 63.5 x 9.52	140.40	76.2 x 95.25 x 9.52	176.10	200 x 230 x 12	613.50
28 x 36 x 6	49.50	45 x 55 x 7.5	76.20	78 x 92 x 12	168.00	220 x 250 x 12	658.20
28 x 42 x 8	77.40	45 x 60 x 8	105.30	80 x 92 x 9.5	140.40	230 x 250 x 12	569.40
28.5 x 44.5 x 11.5	108.00	45 x 60 x 12	138.00	80 x 100 x 12	240.00	250 x 280 x 12	857.40
28.57 x 44.45 x 11.11	106.20	45 x 63 x 8	114.60	80 x 101.6 x 12	252.00	270 x 300 x 16	1246.50
30 x 40 x 10	74.70	45 x 63 x 12.5	154.80	82 x 100 x 14	248.40	280 x 300 x 16	841.20
31.75 x 41.27 x 6.35	66.60	47 x 62 x 10	117.00	85.7 x 102 x 11	183.90	300 x 320 x 16	1012.80
31.75 x 50.8 x 12	138.00	47.62 x 63.5 x 9.52	118.50	85.72 x 101.6 x 11.11	182.10	310 x 340 x 16	1365.90
31.75 x 50.8 x 12.7	141.30	50 x 65 x 8	108.90	90 x 105 x 12	214.80	380 x 400 x 16	1172.10
32 x 44.5 x 9.5	94.50	50 x 65 x 12	143.70	90 x 120 x 14.5	442.50		

Note : Prices are of NBR+Canvas polymer.